



AN ISO 9001 : 2008 COMPANY

EARTHING &

LIGHTNING PROTECTION

SYSTEM



A TOTAL SOLUTION

**INTRODUCTION**

02-03

**EARTHING EQUIPMENTS****EARTH RODS**

COPPER BONDED EARTH ROD SECTIONAL	04
ACCESSORIES FOR SECTIONAL RODS	04
COPPER BONDED EARTH RODS-UNTHREADED & POINTED	05
COUPLERS PRESS FIT FOR UNTHREADED RODS	05
PURE COPPER EARTH ROD INTERNAL THREADED	06
PURE COPPER EARTH ROD EXTERNAL THREADED	06
SPIKE, HEAD & INTERNAL COUPLING DOWEL	06
STAINLESS STEEL EARTH RODS	07
SPIKE, HEAD & INTERNAL COUPLING DOWEL	07
GALVANISED STEEL EARTH ROD	07

**FITTINGS****CLAMPS**

ROD TO TAPE CLAMP TYPE 'A'	08
ROD TO TAPE CLAMP - TYPE 'A' EXTRA GRIP	08
ROD TO CONDUCTOR CLAMP TYPE 'G'	09
ROD TO CABLE CLAMP - TYPE 'G' EXTRA GRIP	09
SPLIT CONNECTOR CLAMP TYPE 'B'	10
SPLIT CONNECTOR CLAMP - TYPE 'B' ADJUSTABLE	10
U' BOLT ROD CLAMPS TYPE 'E' SINGLE PLATE	10
U' BOLT ROD CLAMPS TYPE 'E' DOUBLE PLATE	11
U' BOLT ROD CLAMPS	11
U' BOLT ROD CLAMPS 3 CONDUCTOR TYPE	12
REBAR CLAMP	12
SHEET METAL CLAMPS	13-16
LIGHT WEIGHT EARTH PIT	17
HEAVY DUTY CONCRETE EARTH PIT	17
EARTH PLATE	18
EARTH LATTICE	19

**BONDS & CLAMPS**

WATERMAIN PIPE BOND	20
B BOND	20
RWP BOND	20
TOWER EARTH BOND WITH AND WITHOUT PLATE	21
TOWER EARTH BOND DIRECT CLAMPING TYPE	22
PIPE CLAMP	22
PIPE CLAMP BIG	23
EARTHING CLAMP-TYPE EC	23
EARTHING STRAPS (PREPUNCHED)	23
EARTH BOSS	24
EARTH POINTS	24

**LIGHTNING PROTECTION SYSTEM****FLAT TAPE SYSTEM**

TAPER POINTED AIR ROD	25
ELEVATION ROD	25
MULTIPLE POINTS	25
AIR TERMINAL BASE	26
RIDGE SADDLE	26
STRIKE PAD	26
ROD BRACKETS	27
ROD TO TAPE COUPLING	27

**TAPE FIXINGS**

TAPE CLIP	28
D.C. TAPE CLIP	28
PLASTIC D.C. TAPE CLIP	29
SQUARE TAPE CLAMP	29
OBLONG TEST CLAMP	30
PLATE TEST CLAMP	30
BI-METALLIC CONNECTOR (TAPE TO TAPE)	31
BI-METALLIC CONNECTOR (TAPE TO CONDUCTOR)	31
BACK PLATE HOLD FAST STEM	31

**CIRCULAR CONDUCTOR SYSTEM**

AIR TERMINAL BASE	32
AIR TERMINAL BASE MULTI PURPOSE	32
HEAVY DUTY CONDUCTOR SADDLE	33
ONE HOLE CLIP	33
PUSH-IN TYPE ROOF CONDUCTOR CLIP	33
SQUARE CLAMP	34
TEE CLAMP	34
TEST CLAMP	34
SQUARE CLAMP COMBINATION TYPE	35
BI-METALLIC CONNECTOR (CONDUCTOR TO CONDUCTOR)	35
ROD TO CABLE COUPLING	35

**EARTHING CONDUCTORS**

PURE COPPER TAPE	36
PVC COVERED COPPER TAPE	36
TINNED COPPER TAPE	37
PVC COVERED TINNED COPPER TAPE	37
HARD DRAWN COPPER BAR	38
FLEXIBLE COPPER BRAID FLAT	38
FLEXIBLE TINNED COPPER BRAID FLAT	39
FLEXIBLE CONNECTORS	39
BARE ALUMINIUM TAPE	40
PVC COVERED ALUMINIUM TAPE	40
BARE STRANDED COPPER CONDUCTORS	41
BARE STRANDED SINGLE SOLID COPPER CONDUCTORS	41
BARE STRANDED TINNED COPPER CONDUCTORS	41
BARE STRANDED SINGLE SOLID TINNED COPPER CONDUCTORS	41
PVC COVERED STRANDED COPPER CONDUCTORS	42
PVC COVERED STRANDED SINGLE SOLID COPPER CONDUCTORS	42
PVC COVERED STRANDED TINNED COPPER CONDUCTORS	42
PVC COVERED STRANDED SINGLE SOLID TINNED COPPER CONDUCTORS	42

**EARTH BAR AND DISCONNECTING LINK**

DISCONNECTING LINK	43
EARTH BARS	43
EARTH BARS WITH SINGLE DISCONNECTING LINK	43
EARTH BARS WITH TWIN DISCONNECTING LINK	44
DISCONNECTING LINK NEW DESIGN AS PER CUSTOMER REQUIRED	44
C' TYPE CONNECTORS	45

**FASTENERS & FIXINGS**

HEXAGON BOLTS	46
HEXAGON NUTS	46
FLAT ROUND WASHERS	46
SPRING ROUND WASHERS	46
ROUND COPPER PLATED NAILS	47
WOOD SCREW	47
PLASTIC WALL PLUGS	47

## Earthing & Lightning Protection System

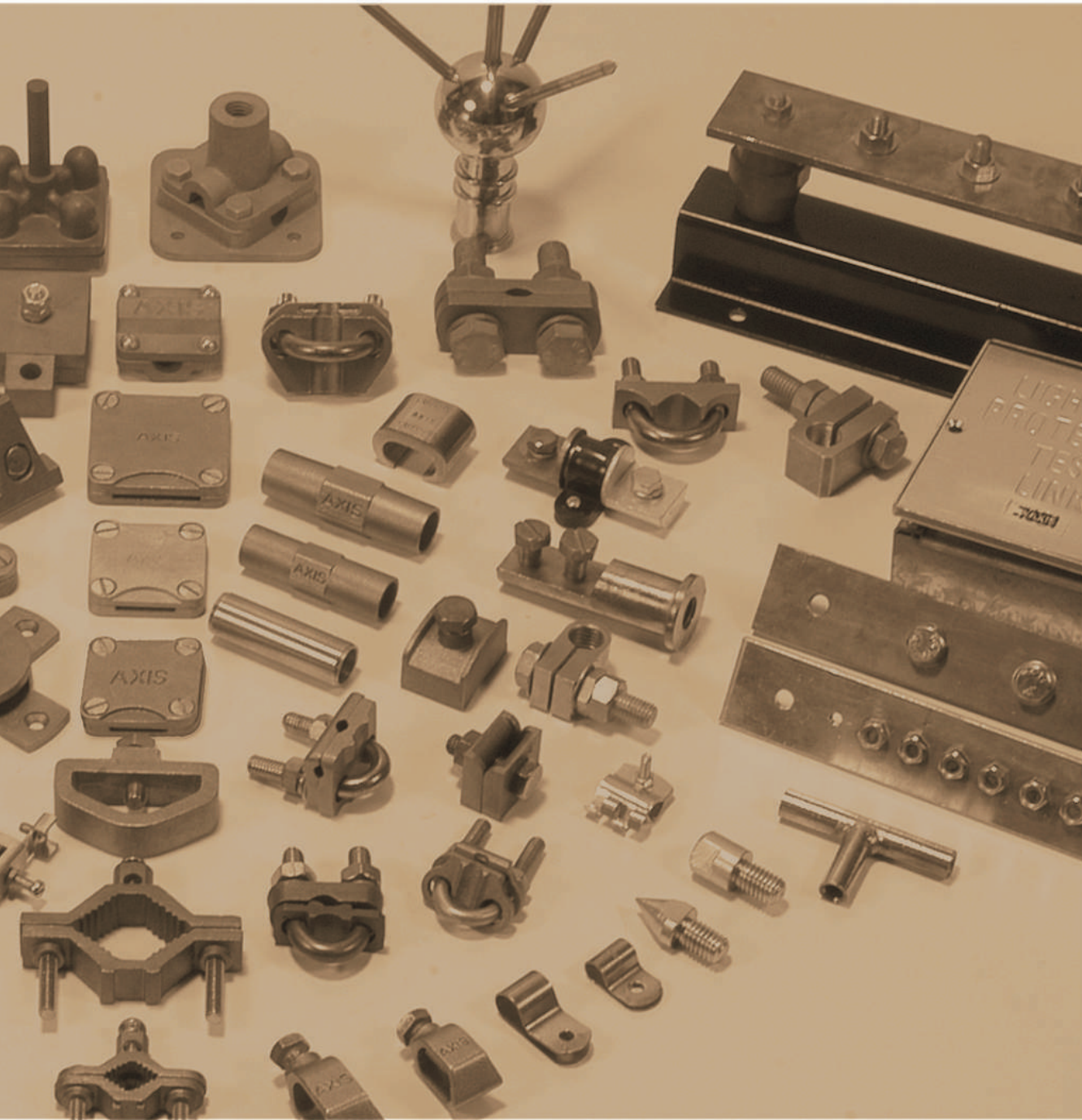
# Earthing & Lightning



Over the years, **Axis** has been supplying a wide range of quality products for Earthing and Lightning Protection.

The Earthing and Lightning Protection systems follow International Standards like **BS 6651**, **BS 7430** & **UL 467** and are acknowledged by leading Electrical Distributors and Consultants worldwide. The Products manufactured are easy to install and highly reliable.

The products are produced and tested under stringent **ISO** quality control measures. **Axis** Earthing & Lightning protection systems are being used in core sectors of the economy such as Power, Industrial, Oil and many more.



# Protection System

**Axis** with its professional team keeps in view the clients specific requirements for varied production runs.

The growth of **Axis** is largely due to innovation and continual product development.

This catalogue has been compiled and logically structured enabling the original equipment manufacturers, electrical contractors, distributors, wholesalers and retailers to find product information easily and efficiently.

## EARTHING EQUIPMENTS

### EARTH RODS



AXIS offers to the customer a complete range of earthing equipments which are best suitable and most economically available.

#### COPPER BONDED EARTH RODS - SECTIONAL

AXIS earth rods are made from high tensile low carbon steel. Each rod is made by molecularly bonding 99.9 % pure electrolytic copper. Threads on the rods are formed by roll threading process giving extra strength to the threads and eliminating risk of chipping of threads while driving the rod in the ground.

#### ROD DETAILS

Rod DIA. mm	Total Length	Thread Dia	E - Code
12.5	1200	9/16"	CBR1412TNU
12.5	1400	9/16"	CBR1414TNU
12.5	1500	9/16"	CBR1415TNU
12.5	1800	9/16"	CBR1418TNU
12.5	2400	9/16"	CBR1424TNU
12.5	3000	9/16"	CBR1430TNU
14.2	1200	5/8"	CBR1612TNU
14.2	1500	5/8"	CBR1615TNU
14.2	1800	5/8"	CBR1618TNU
14.2	2000	5/8"	CBR1620TNU
14.2	2400	5/8"	CBR1624TNU
14.2	3000	5/8"	CBR1630TNU
17.2	1200	3/4"	CBR2012TNU
17.2	1500	3/4"	CBR2015TNU
17.2	1800	3/4"	CBR2018TNU
17.2	2400	3/4"	CBR2024TNU
17.2	3000	3/4"	CBR2030TNU

NOTE : UL LISTED RODS ARE MINIMUM 1/2" DIA. AND 2400 mm IN LENGTH

#### THREADED COUPLERS

Made up of Copper Alloy for higher strength and counter bored to protect the rod threads from damage.

Thread Dia	E - Code.
9/16"	BC0916
5/8"	BC0058
3/4"	BC0034

#### DRIVING BOLT

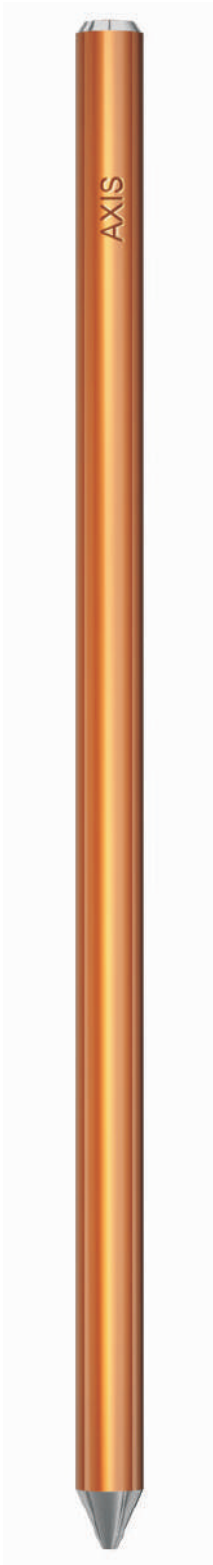
Made up of Re-usable high tensile steel Can be used many times over and suitable for power hammering.

Thread Dia	E - Code
9/16"	DB0916
5/8"	DB0058
3/4"	DB0034



### COPPER BONDED EARTH RODS-UNTHREADED

AXIS earth rods are made from high tensile low carbon steel. Each rod is made by molecularly bonding 99.9 % pure electrolytic copper.



Rod DIA. mm	Total Length	E - Code.
9.5	1200	CBR0912PNU
12.5	1200	CBR1412PNU
12.5	1400	CBR1414PNU
12.5	1500	CBR1415PNU
12.5	1800	CBR1418PNU
12.5	2400	CBR1424PNU
12.5	3000	CBR1430PNU
14.2	1200	CBR1612PNU
14.2	1500	CBR1615PNU
14.2	1800	CBR1618PNU
14.2	2000	CBR1620PNU
14.2	2400	CBR1624PNU
14.2	3000	CBR1624PNU
16	1200	CBR1812PNU
16	1500	CBR1815PNU
16	1800	CBR1818PNU
16	2400	CBR1824PNU
16	3000	CBR1830PNU
17.2	1200	CBR2012PNU
17.2	1500	CBR2015PNU
17.2	1800	CBR2018PNU
17.2	2400	CBR2024PNU
17.2	3000	CBR2030PNU
19	1200	CBR1912PNU
19	1500	CBR1915PNU
19	1800	CBR1918PNU
19	2400	CBR1924PNU
19	3000	CBR1930PNU
25	1800	CBR2530PNU
25	2400	CBR2524PNU
25	3000	CBR2530PNU

### COUPLERS PRESS FIT FOR UNTHREADED RODS

Made up of Copper Alloy

Thread Dia	E - Code.
9.5	PFC009
12.5	PFC012
14.2	PFC014
16	PFC016
17.2	PFC017
19	PFC019
25	PFC025



# EARTHING EQUIPMENTS

## EARTH RODS

### PURE COPPER EARTH ROD ( Internally threaded )

Manufactured from Hard Drawn high conductivity Copper

Rod DIA. mm	Total Length	Thread Dia	E - Code.
14	1200	M10	SCR1412
14	1500	M10	SCR1415
15	1200	M10	SCR1512
15	1500	M10	SCR1515
16	1200	M10	SCR1612
16	1500	M10	SCR1615
20	1200	M12	SCR2012
20	1500	M12	SCR2015

← Driving Stud



← Earth Rod



← Coupler



← Earth Rod



← Spike

### SPIKE

Made up of Re-usable high tensile steel

Thread Dia	E - Code
M10	DS0010
M12	DS0012

### INTERNAL COUPLING DOWEL

Made up of Copper Alloy / SS

Thread Dia	E - Code
M10	DC0010
M12	DC0012

### PURE COPPER EARTH ROD ( Externally threaded )

AXIS solid copper earth rods are made from high conductivity hard drawn copper. They are ideally suitable where soil conditions are very corrosive, such as soil with high salt and moisture content. These rods are also available with tin plating in order to reduce the risk of oxidation and increasing shelf life. Threads on the rods are formed by roll threading process giving extra strength to the threads and eliminating risk of chipping of threads while driving the rod in the ground.

Rod DIA. mm	Total Length	Thread Dia	E - Code
12.5	1200	9/16"	ARC1412
12.5	1500	9/16"	ARC1415
12.5	1800	9/16"	ARC1418
12.5	2400	9/16"	ARC1424
12.5	3000	9/16"	ARC1430
14.2	1200	5/8"	ARC1612
14.2	1500	5/8"	ARC1615
14.2	1800	5/8"	ARC1618
14.2	2400	5/8"	ARC1624
14.2	3000	5/8"	ARC1630
17.2	1200	3/4"	ARC2012
17.2	1500	3/4"	ARC2015
17.2	1800	3/4"	ARC2018
17.2	2400	3/4"	ARC2024
17.2	3000	3/4"	ARC2030



← Driving Stud



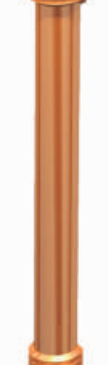
← Coupler



← Earth Rod



← Coupler



← Earth Rod

PURE COPPER EARTH ROD ( Internally threaded )

PURE COPPER EARTH ROD ( Externally threaded )



## EARTH RODS

### STAINLESS STEEL EARTH ROD ( Internal threading )

Stainless Steel earth rods are used to overcome condition of galvanic corrosion which may be caused due to dissimilar metals being buried near by. Solid copper rods are likely to react adversely with the buried metal, thus allowing corrosion to take place. To overcome this situation, stainless steel rods which are more anodic than copper & highly resistant to corrosion are recommended. These rods are manufactured from austenitic stainless steel to BS970, grade 316.

Rod DIA. mm	Total Length	Thread Dia	E - Code
16	1500	M10	SER1615
16	1800	M10	SER1618
16	2400	M10	SER1624
20	1500	M12	SER2015
20	1800	M12	SER2018
20	2400	M12	SER2024

#### DRIVING HEAD

Made up of Re-usable high tensile steel  
Can be used many times over and suitable for power hammering.

Thread Dia	E - Code
M10	DH0010
M12	DH0012

#### INTERNAL COUPLING DOWEL For Stainless Steel Rods

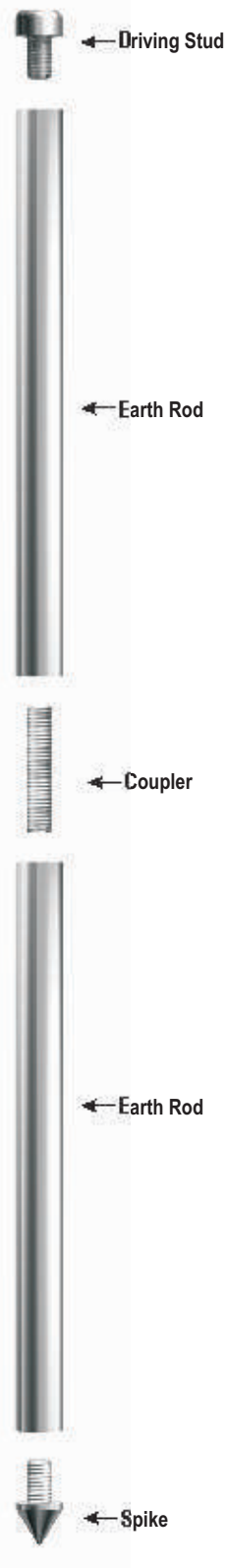
Made up of Stainless Steel

Thread Dia	E - Code
M10	DC0010S
M12	DC0012S

### GALVANISED STEEL EARTH ROD - UNTHREADED & POINTED

These rods are made up of high strength low carbon steel and hot dipped galvanised . This design of rod is actually cost effective option for earthing

Rod DIA. mm	Total Length	E - Code
12	1200	GER1212
12	1500	GER1215
12	1800	GER1218
12	2400	GER1224
12	3000	GER1230
14	1200	GER1412
14	1500	GER1415
14	1800	GER1418
14	2400	GER1424
14	3000	GER1430
16	1200	GER1612
16	1500	GER1615
16	1800	GER1618
16	2400	GER1624
16	3000	GER1630
20	1200	GER2012
20	1500	GER2015
20	1800	GER2018
20	2400	GER2024
20	3000	GER2030



STAINLESS STEEL EARTH ROD  
( Internal threading )



GALVANISED STEEL EARTH ROD



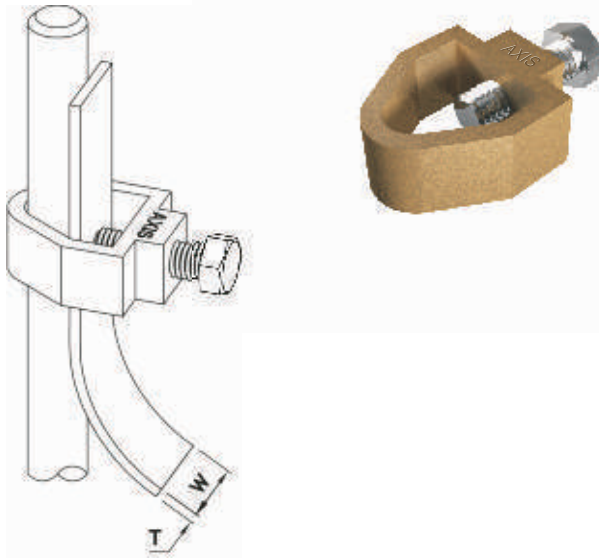
## EARTHING EQUIPMENTS / FITTINGS

### CLAMPS

Suitable for use with a combination of rod size and tape or conductors.

#### ROD TO TAPE CLAMP - TYPE 'A'

MATERIAL : HIGH GRADE COPPER ALLOY  
 BOLT : STAINLESS STEEL - SS304

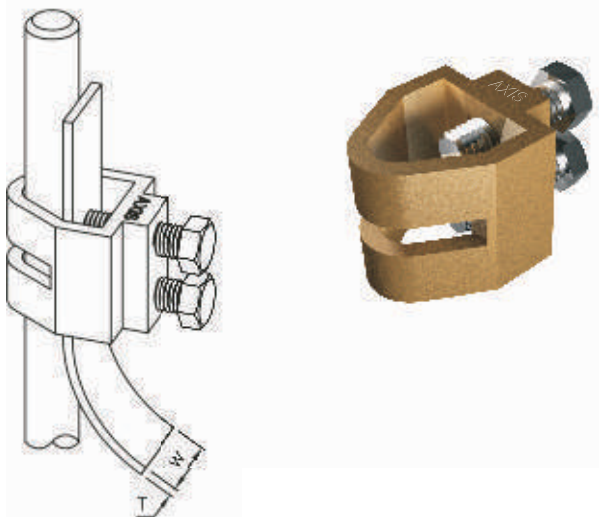


ROD DIA mm	TAPE SIZE ( W x T ) mm	E - CODE
9.5 to 12.5	20 x 2	RTC0920A
	25 x 3	RTC0925A
14.2 to 16	25 x 3	RTC1625A
	30 x 3	RTC1630A
17.2 to 20	50 x 6	RTC2050A
	25 x 3	RTC1625A
20 to 25	30 x 3	RTC1630A
	50 x 6	RTC2050A

NOTE : OTHER SIZES AVAILABLE ON REQUEST

#### ROD TO TAPE CLAMP - TYPE 'A' WITH EXTRA GRIP

MATERIAL : HIGH GRADE COPPER ALLOY  
 BOLT : STAINLESS STEEL - SS304



ROD DIA mm	TAPE SIZE ( W x T ) mm	E - CODE
14.2 to 16	25 x 3	RTC1425AEG
	30 x 3	RTC1430AEG
	50 x 6	RTC2050AEG
17.2 to 20	25 x 3	RTC1625AEG
	30 x 3	RTC1630AEG
	50 x 6	RTC2050AEG
20 to 25	30 x 3	RTC2030AEG
	50 x 6	RTC2050AEG

NOTE : OTHER SIZES AVAILABLE ON REQUEST

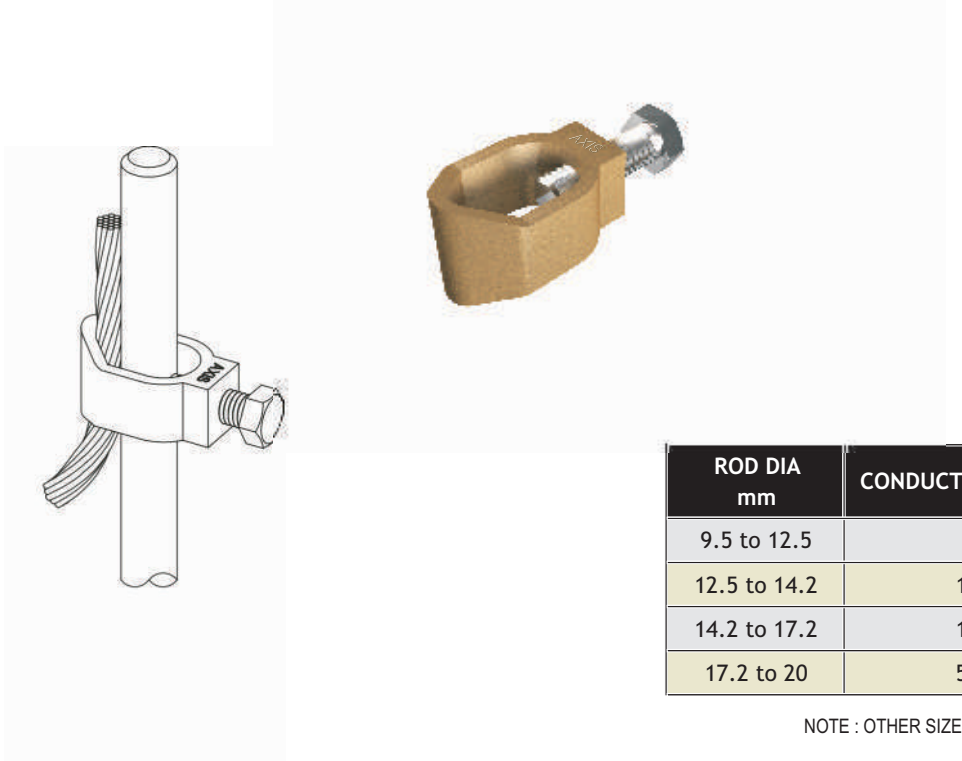


## EARTHING EQUIPMENTS / FITTINGS

### ROD TO CABLE CLAMP - TYPE 'G'

SUITABLE FOR USE WITH A COMBINATION OF ROD SIZE AND CONDUCTORS

MATERIAL : HIGH GRADE COPPER ALLOY  
 BOLT : STAINLESS STEEL - SS304

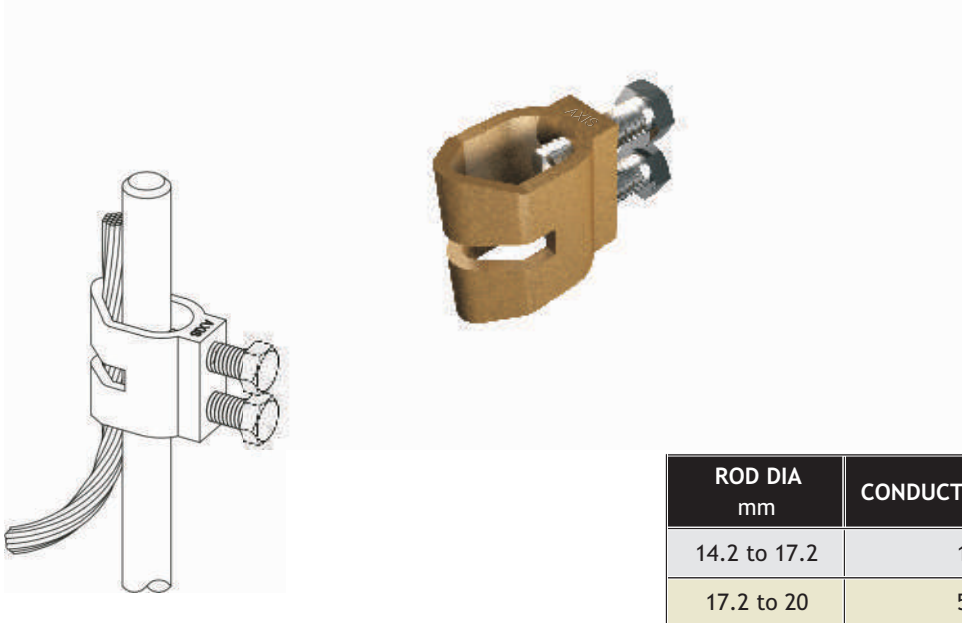


ROD DIA mm	CONDUCTOR RANGE mm <sup>2</sup>	E - CODE
9.5 to 12.5	6 - 35	RCC935G
12.5 to 14.2	16 - 70	RCC1470G
14.2 to 17.2	16 - 95	RCC1695G
17.2 to 20	50 - 95	RCC2095G

NOTE : OTHER SIZES AVAILABLE ON REQUEST

### ROD TO CABLE CLAMP - TYPE 'G' WITH EXTRA GRIP

MATERIAL : HIGH GRADE COPPER ALLOY  
 BOLT : STAINLESS STEEL - SS304



ROD DIA mm	CONDUCTOR RANGE mm <sup>2</sup>	E - CODE
14.2 to 17.2	16 - 95	RCC1695GEG
17.2 to 20	50 - 95	RCC2095GEG

NOTE : OTHER SIZES AVAILABLE ON REQUEST

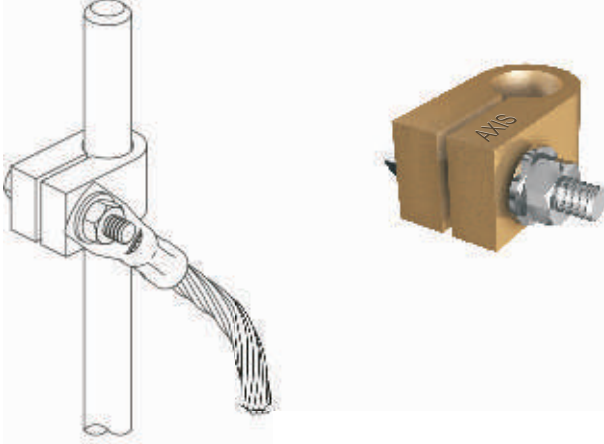


## EARTHING EQUIPMENTS / FITTINGS

### SPLIT CONNECTOR CLAMP - TYPE 'B'

MOST SUITABLE FOR UNTHREADED RODS.

MATERIAL : HIGH GRADE COPPER ALLOY  
 BOLT : STAINLESS STEEL - SS304



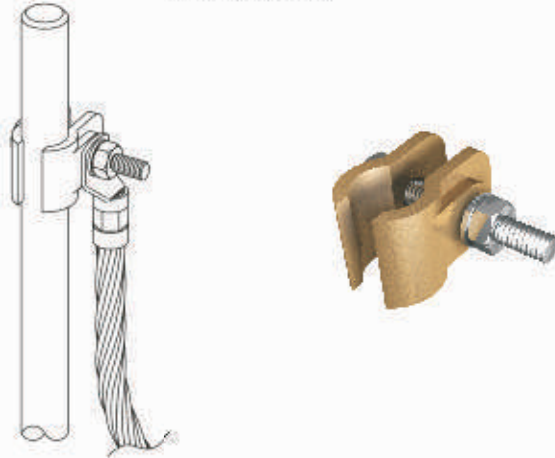
ROD DIA mm	E - CODE
9.5	SCG0009B
12.5	SCG0012B
14.2	SCG0014B
16	SCG0016B
17.2	SCG0017B
20	SCG0020B
25	SCG0025B

NOTE : CABLE LUG IS NOT A PART OF THE CLAMP

### SPLIT CONNECTOR CLAMP - TYPE 'B' (ADJUSTABLE)

MOST SUITABLE FOR UNTHREADED RODS.

MATERIAL : HIGH GRADE COPPER ALLOY  
 BOLT : STAINLESS STEEL - SS304



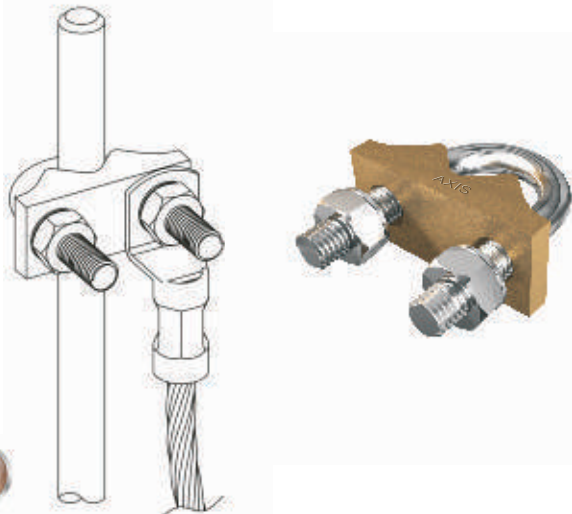
ROD DIA mm	E - CODE
9.5 to 14.2	SCG0914A
16 to 20	SCG1620A

NOTE : CABLE LUG IS NOT A PART OF THE CLAMP

### U-BOLT ROD CLAMPS - TYPE 'E' - SINGLE PLATE

SUITABLE FOR USE WITH A COMBINATION OF ROD TO CONDUCTORS

MATERIAL : HIGH GRADE COPPER ALLOY  
 BOLT : STAINLESS STEEL - SS304



ROD DIA mm	E - CODE
9.5 to 12.5	URC1225E
14.2 to 16	URC1625E
17.2 to 20	URC2025E
20 to 25	URC2550E

NOTE : CABLE LUG IS NOT A PART OF THE CLAMP

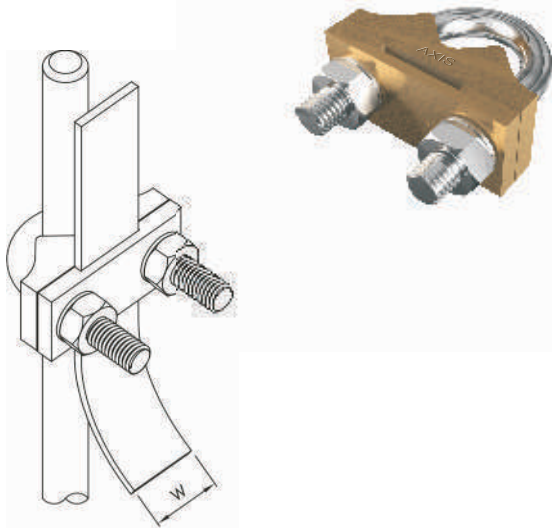


## EARTHING EQUIPMENTS / FITTINGS

### U-BOLT ROD CLAMPS - TYPE 'E' WITH DOUBLE PLATE

SUITABLE FOR CONNECTING COPPER TAPES TO THE RODS

MATERIAL : HIGH GRADE COPPER ALLOY  
 BOLT : STAINLESS STEEL - SS304

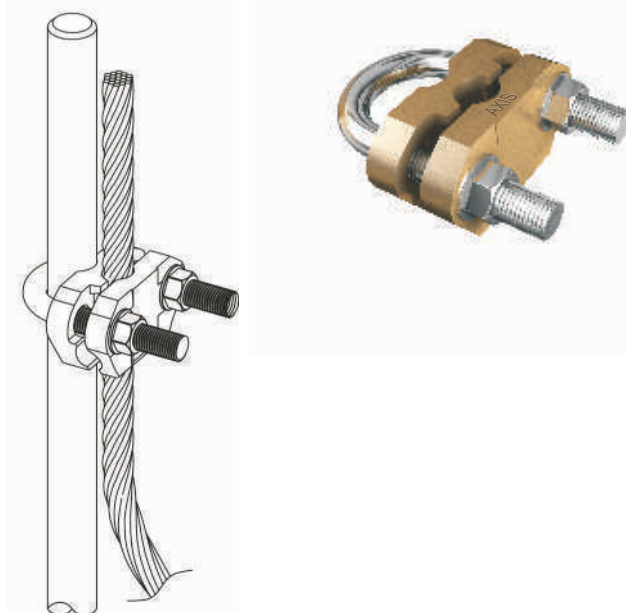


ROD DIA mm	TAPE SIZE 'W' mm	E - CODE
9.5 - 12.5	25	URC1225EP
14.2 to 16	25	URC1625EP
17.2 to 20	25	URC2025EP
20 to 25	50	URC2550EP

### U-BOLT ROD CLAMPS

SUITABLE FOR CONNECTING COPPER CONDUCTOR TO THE ROD

MATERIAL : HIGH GRADE COPPER ALLOY  
 BOLT : STAINLESS STEEL - SS304



ROD DIA mm	CONDUCTOR SIZE IN mm <sup>2</sup>	E - CODE
9.5 - 12.5	16 - 35	GUV935
14 - 16	16 - 35	GUV1435
14 - 16	16 - 95	GUV1695
14 - 20	35 - 185	GUV20185
16 - 20	120 - 300	GUV20300
20 - 25	300 - 500	GUV20500

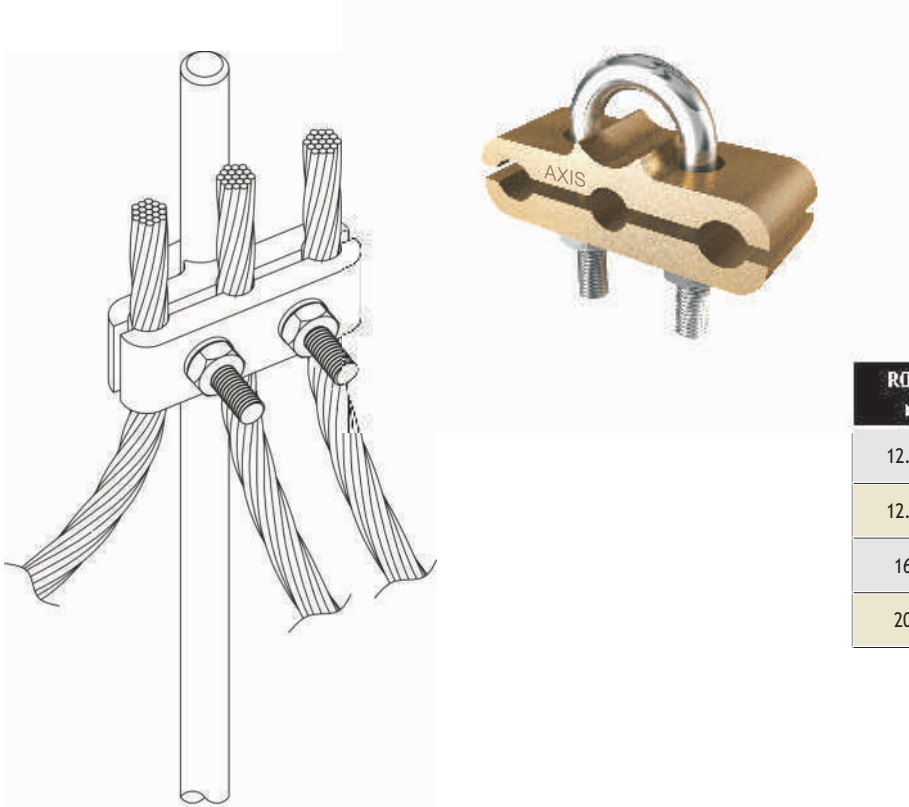


## EARTHING EQUIPMENTS / FITTINGS

### U-BOLT ROD CLAMPS 3 CONDUCTOR TYPE

SUITABLE FOR CONNECTING COPPER CONDUCTORS TO THE ROD

MATERIAL : HIGH GRADE COPPER ALLOY  
 BOLT : STAINLESS STEEL - SS304

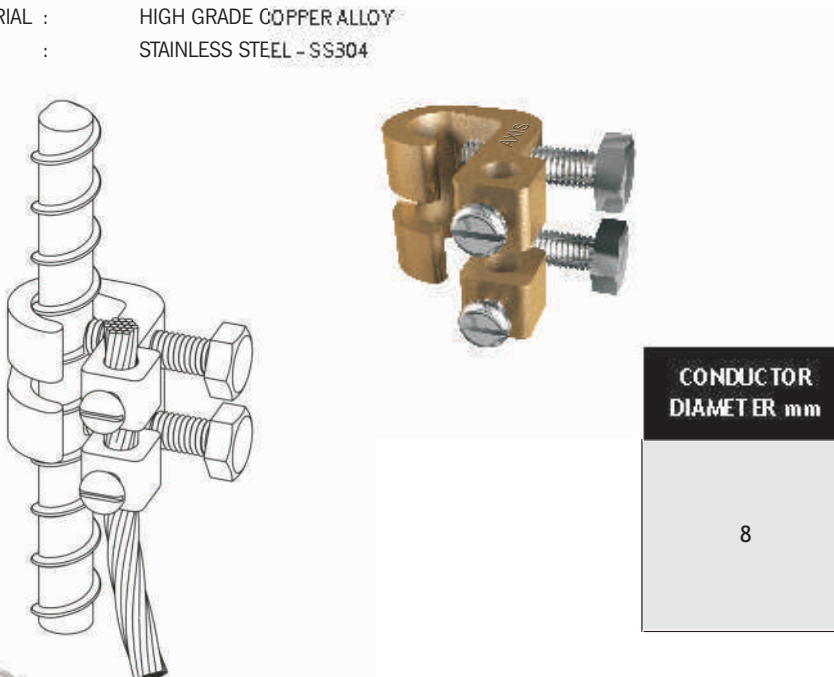


ROD DIA mm	CONDUCTOR SIZE IN mm <sup>2</sup>	E - CODE
12.5 - 16	16 - 35	GUV16353C
12.5 - 16	50 - 70	GUV16703C
16 - 20	50 - 95	GUV20953C
20 - 25	120 - 150	GUV251503C

### REBAR CLAMP

SUITABLE TO CONNECT REBAR ROD TO CONDUCTOR

MATERIAL : HIGH GRADE COPPER ALLOY  
 BOLT : STAINLESS STEEL - SS304



CONDUCTOR DIAMETER mm	REBAR DIAMETER mm	E-CODE
8	8 - 18mm	RBC818
	18 - 38mm	RBC1838



# EARTHING EQUIPMENTS / FITTINGS (SHEET METAL CLAMPS)



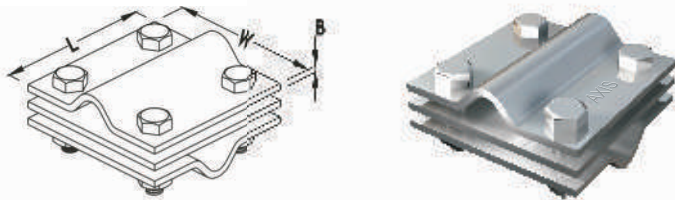
## CROSS CLAMPS FOR ABOVE AND UNDERGROUND CONNECTION

Suitable for cross and T connections between conductors

Material: Brass, Stainless Steel and Galvanized Mild Steel | Fastners: Stainless Steel.

Type : 1

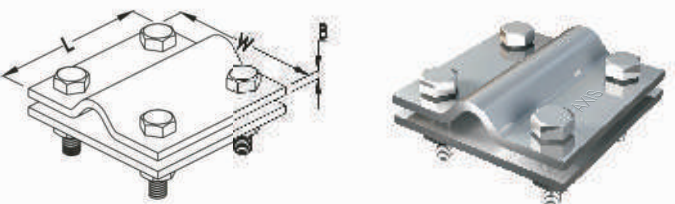
SUITABLE TO CONNECT ROD TO ROD CONDUCTOR ( WITH INTERMEDIATE PLATE )



DIMENSION ' L x W x B '	ROD / ROD SIZE IN mm	E - CODE
60 x 60 x 3	8 - 10	RRC663P
60 x 60 x 4	8 - 10	RRC663P

Type : 2

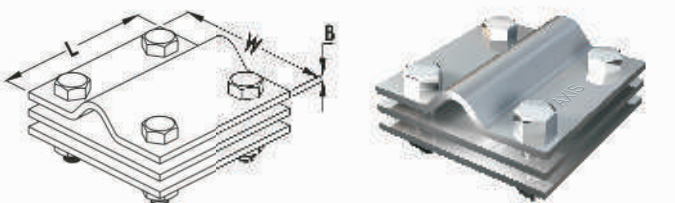
SUITABLE TO CONNECT ROD TO FLAT CONDUCTOR ( WITHOUT INTERMEDIATE PLATE )



DIMENSION ' L x W x B '	ROD / ROD SIZE IN mm	TAPE SIZE IN mm	E - CODE
70 x 70 x 3	8 - 10	30 x 3	RFC773
70 x 70 x 4	8 - 10	40 x 3	RFC774

Type : 3

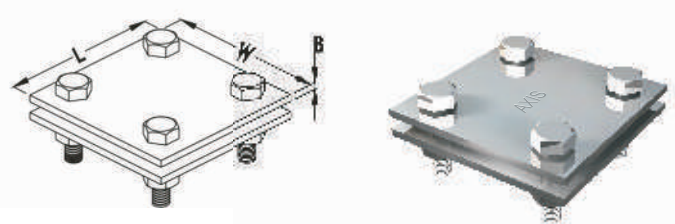
SUITABLE TO CONNECT ROD TO FLAT CONDUCTOR ( WITH INTERMEDIATE PLATE ) UP TO 40mm



DIMENSION ' L x W x B '	ROD / ROD SIZE IN mm	TAPE / TAPE SIZE IN mm	E - CODE
70 x 70 x 3	8 - 10	30 / 40	RFC773P
70 x 70 x 4	8 - 10	30 / 40	RFC774P

Type : 4

SUITABLE TO CONNECT FLAT TO FLAT CONDUCTOR ( WITHOUT INTERMEDIATE PLATE )



DIMENSION ' L x W x B '	TAPE / TAPE SIZE IN mm	E - CODE
60 x 60 x 3	30 / 30	FFC663
70 x 70 x 4	30 / 40	FFC774



## EARTHING EQUIPMENTS / FITTINGS (SHEET METAL CLAMPS)

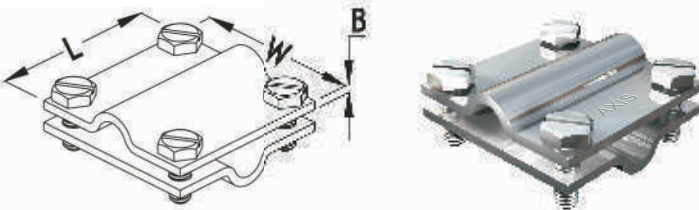
### CROSS CLAMPS FOR ABOVE GROUND

Suitable for cross and T connections between conductors

Material: Brass, Stainless Steel and Galvanized Mild Steel | Fastners: Stainless Steel.

Type : 1

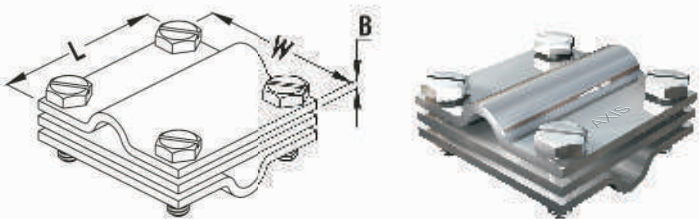
SUITABLE TO CONNECT ROD TO FLAT CONDUCTOR ( WITHOUT INTERMEDIATE PLATE )



DIMENSION 'L x W x B'	ROD / ROD SIZE IN mm	E - CODE
50 x 50 x 2.5	8 - 10	CCC552

Type : 2

SUITABLE TO CONNECT ROD TO ROD CONDUCTOR WITH INTERMEDIATE PLATE



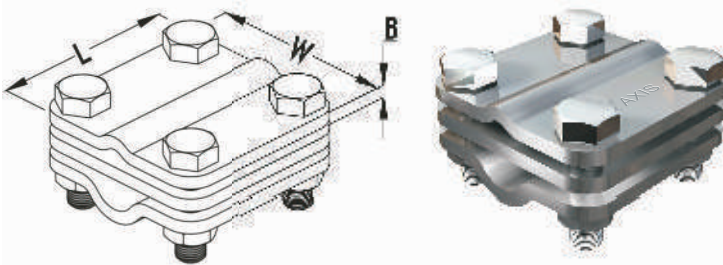
DIMENSION 'L x W x B'	ROD / ROD SIZE IN mm	E - CODE
50 x 50 x 2.5	8 - 10	CCC552P

### ROD TO CONDUCTOR CLAMPS

SUITABLE TO MAKE CROSS & PARALLEL CONNECTION OF SOLID, STRANDED & FLAT CONDUCTORS WITH EARTH RODS,

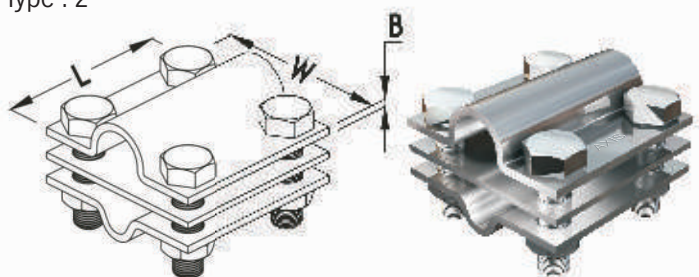
TAPE OR STRANDED CONDUCTORS TO EARTH RODS.

Type : 1



DIMENSION 'L x W x B'	ROD DIA / FLAT SIZE IN mm	E - CODE
75 x 75 x 5	8 - 12.5 / 40	RFC775P

Type : 2



DIMENSION 'L x W x B'	ROD DIA / FLAT SIZE IN mm	E - CODE
70 x 70 x 3	8 - 12.5 / 40	RRFC773P



# EARTHING EQUIPMENTS / FITTINGS (SHEET METAL CLAMPS)



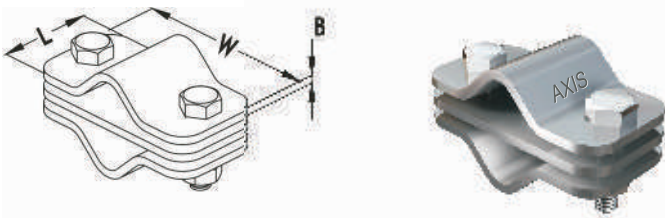
## TEST JOINT (Disconnecting Clamps)

Suitable to connect earth rods to down conductors

Material: Brass, Stainless Steel and Galvanized Mild Steel | Fastners: Stainless Steel.

### Type : 1

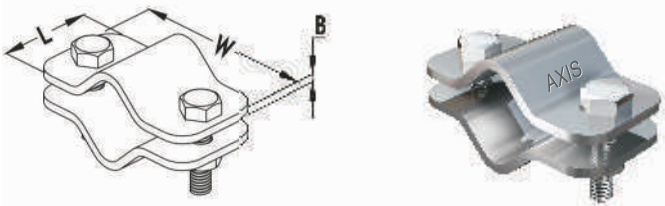
SUITABLE TO CONNECT ROD TO ROD CONDUCTOR WITH INTERMEDIATE PLATE



DIMENSION ' L x W x B '	ROD / ROD SIZE IN mm	E - CODE
30 x 58 x 2.5	8 - 10 / 8 - 10	RRC532P

### Type : 2

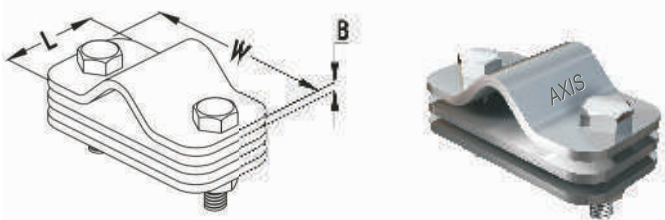
SUITABLE TO CONNECT ROD TO ROD CONDUCTOR WITHOUT INTERMEDIATE PLATE



DIMENSION ' L x W x B '	ROD / ROD SIZE IN mm	E - CODE
58 x 30 x 2.5	8 - 10 / 8 - 10	RRC532

### Type : 3

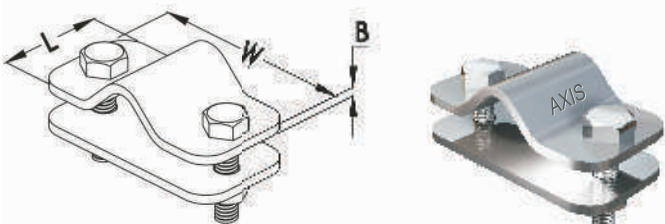
SUITABLE TO CONNECT ROD TO FLAT CONDUCTOR WITH INTERMEDIATE PLATE



DIMENSION ' L x W x B '	ROD / ROD SIZE IN mm	TAPE SIZE IN mm	E - CODE
58 x 30 x 2.5	8 - 10 / 8 - 10	30	RFC532P

### Type : 4

SUITABLE TO CONNECT ROD TO FLAT CONDUCTOR WITHOUT INTERMEDIATE PLATE



DIMENSION ' L x W x B '	ROD / ROD SIZE IN mm	TAPE SIZE IN mm	E - CODE
58 x 30 x 2.5	8 - 10 / 8 - 10	30	RFC532



## EARTHING EQUIPMENTS / FITTINGS (SHEET METAL CLAMPS)

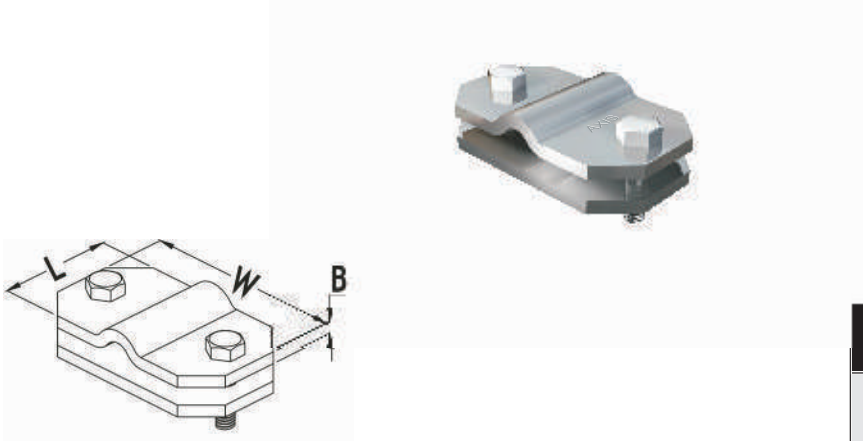
### TEST JOINT

#### FIXED EARTHING TERMINALS

Material: Brass, Stainless Steel and Galvanized Mild Steel | Fastners: Stainless Steel.

Type : 1

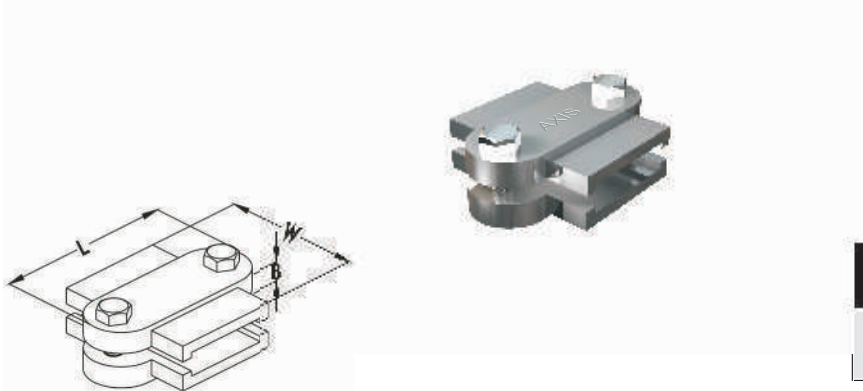
TWO OR THREE-PART CONNECTION SYSTEM WITH THREADED BASE PART



DIMENSION ' L x W x B '	ROD / ROD SIZE IN mm	E - CODE
30 x 58 x 2.5	8 - 10 / 8 - 10	RRC532P

Type : 2

SUITABLE TO CONNECT FLAT TO FLAT CONDUCTOR WITH TWO PART



DIMENSION ' L x W x B '	TAPE / TAPE SIZE IN mm	E - CODE
58 x 54 x 8	30 / 30	FFC558

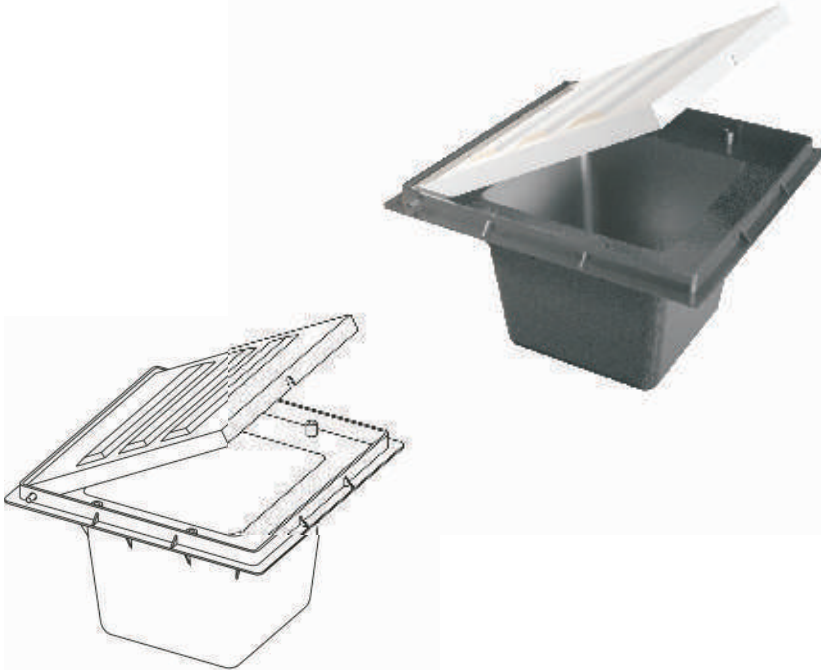


## EARTHING EQUIPMENTS / FITTINGS

### LIGHT WEIGHT EARTH PIT

It is used for light weight application and in areas where small vehicles are used.

Manufactured from High quality polymer. The lid is manufactured out of HDG steel

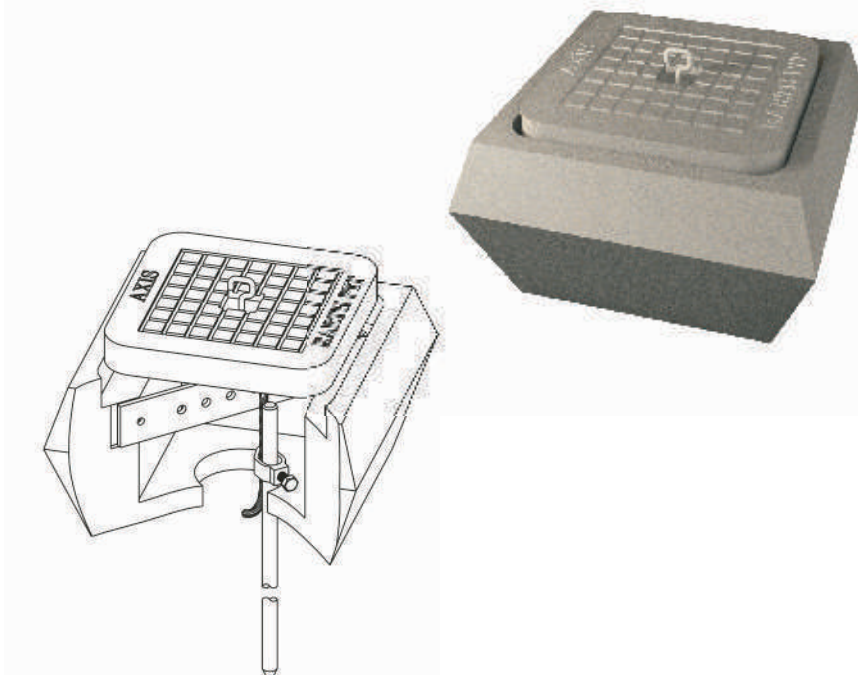


Description	E - Code
300 x 300	EPP3030

### CONCRETE EARTH PIT

The concrete earth pit is used for load ratings upto 4000 Kgs and is suitable for most types of earthing and lightning protection installations.

The Pit can have an earth bar fitted diagonally across in slots provided for multiple connections.



Description	E - Code
300 x 300	CEP3030



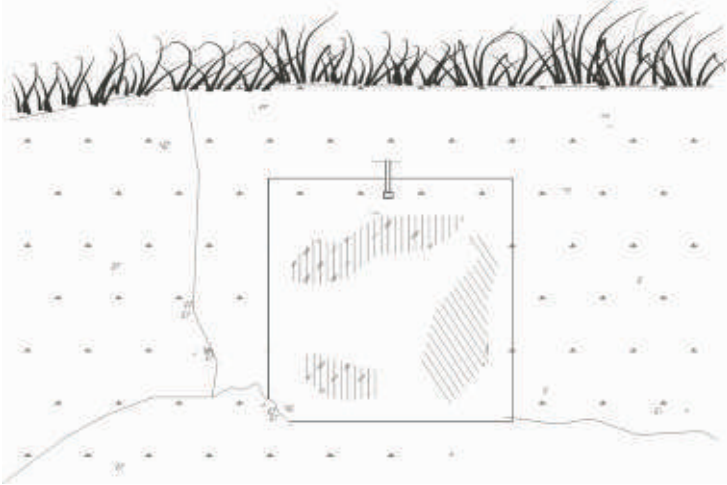
## EARTHING EQUIPMENTS / FITTINGS

### EARTH PLATE

Solid copper plates provide a long lasting earthing solution in places where driving earth rods might be impractical.

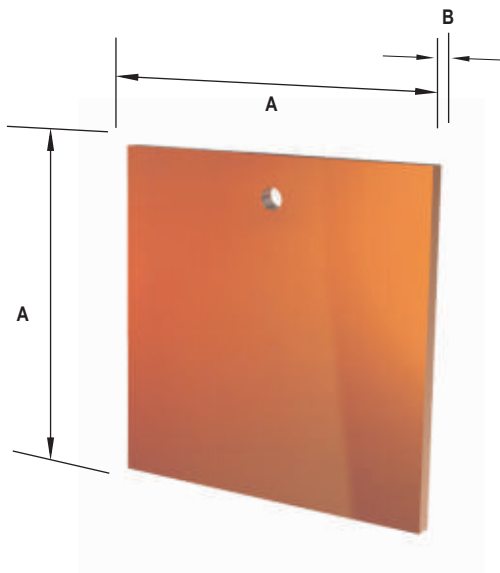
Earth plates are made up of electrolytic grade solid copper sheet

[Also on request made up of steel sheet with copper bonding]



Solid Copper Earth Plates

Plate Size 'A x A x B' mm	E - Code
500 x 500 x 3	EPSC0553
500 x 500 x 5	EPSC0555
600 x 600 x 3	EPSC0663
600 x 600 x 5	EPSC0665
900 x 900 x 3	EPSC0993
900 x 900 x 5	EPSC0995
1000 x 1000 x 3	EPSC0113
1000 x 1000 x 5	EPSC0115



Copper Bonded Earth Plates

Plate Size 'A x A x B' mm	E - Code
500 x 500 x 3	EPCB0553
500 x 500 x 5	EPCB0555
600 x 600 x 3	EPCB0663
600 x 600 x 5	EPCB0665
900 x 900 x 3	EPCB0993
900 x 900 x 5	EPCB0995
1000 x 1000 x 3	EPCB0113
1000 x 1000 x 5	EPCB0115

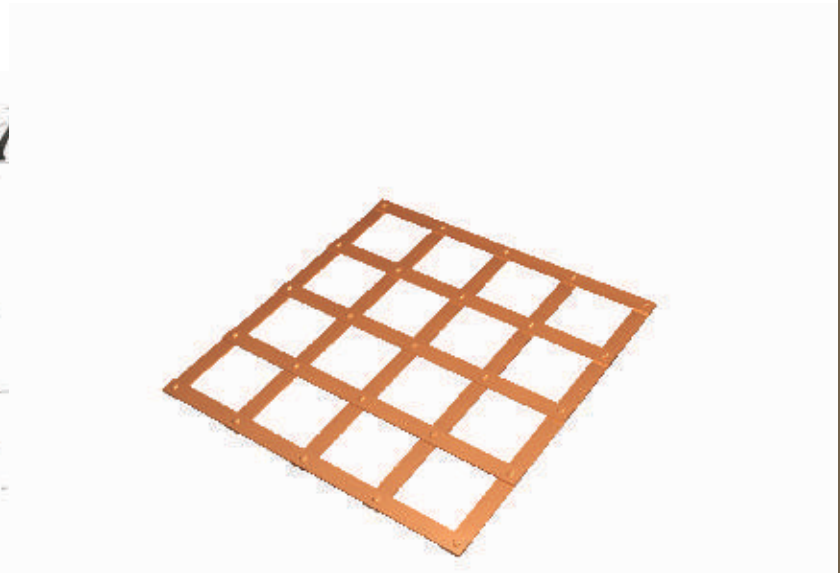
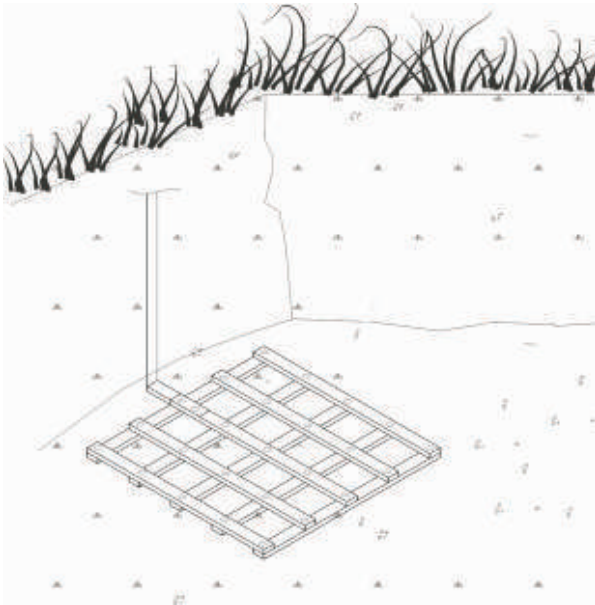


## EARTHING EQUIPMENTS / FITTINGS

### EARTH LATTICE

Solid copper lattice mats offer a more economical cost option to installing solid copper plates.

MATERIAL : EC GRADE COPPER



Lattice Size mm	Copper Tape Size mm	No. of Strips	E - Code
500 x 500	25 x 2	10	EL0552
500 x 500	25 x 3	10	EL0553
500 x 500	25 x 5	10	EL0555
600 x 600	25 x 2	10	EL0662
600 x 600	25 x 3	10	EL0663
600 x 600	25 x 5	10	EL0665
900 x 900	25 x 2	10	EL0992
900 x 900	25 x 3	10	EL0993
900 x 900	25 x 5	10	EL0995
1000 x 1000	25 x 2	12	EL0112
1000 x 1000	25 x 3	12	EL0113
1000 x 1000	25 x 5	12	EL0115

NOTE : OTHER SIZES & COMBINATIONS AVAILABLE



## EARTHING EQUIPMENTS / BONDS & CLAMPS

### WATERMAIN PIPE BOND

Water main pipe bond has application in bonding of metallic water main pipe & copper Tape to the Earthing or Lightning protection system.

MATERIAL : HIGH GRADE COPPER ALLOY  
 BOLT : STAINLESS STEEL - SS304



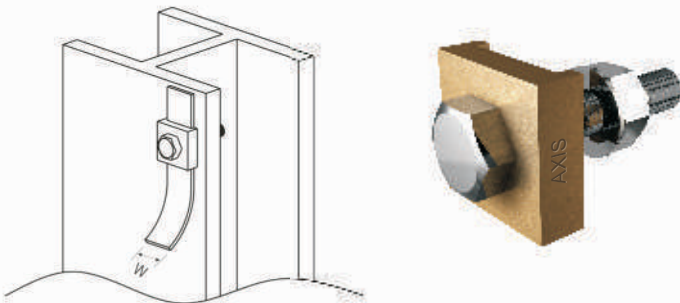
Tape size mm. (W)	E - Code
25	WMC0025
30	WMC0030

NOTE : OTHER SIZES & COMBINATIONS AVAILABLE

### I) B BOND

Used for bonding Tape to steel structures.

MATERIAL : HIGH GRADE COPPER ALLOY  
 BOLT : STAINLESS STEEL - SS304



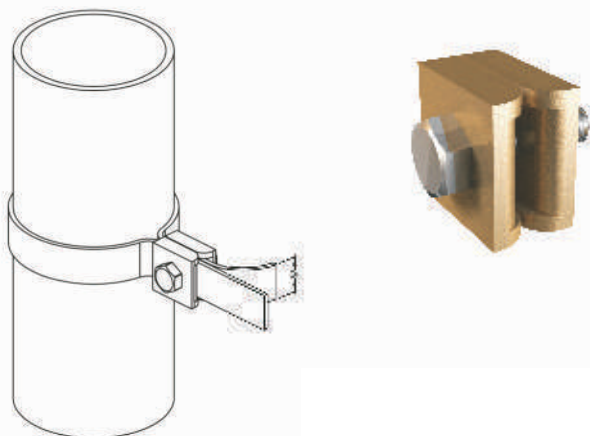
Tape size mm. (w)	Bolt size	E - Code
25	M10	SBB0025
30	M10	SBB0030

NOTE : OTHER SIZES & COMBINATIONS AVAILABLE

### II) RWP BOND

Used for bonding tape to Rainwater pipes etc.

MATERIAL : HIGH GRADE COPPER ALLOY  
 BOLT : STAINLESS STEEL - SS304



Tape size mm. (W)	Bolt size	E - Code
25	M10	RWP0025
30	M10	RWP0030

NOTE : OTHER SIZES & COMBINATIONS AVAILABLE

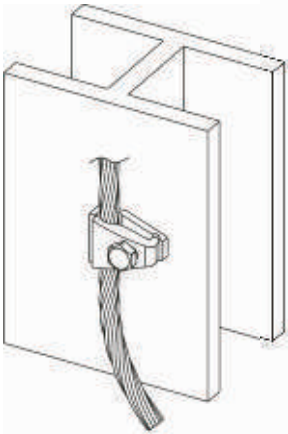


## EARTHING EQUIPMENTS / BONDS & CLAMPS

### III) TOWER EARTH BOND WITH PLATE

Used for bonding copper cables or wires to steel structures.

MATERIAL : HIGH GRADE COPPER ALLOY  
 BOLT : STAINLESS STEEL - SS304

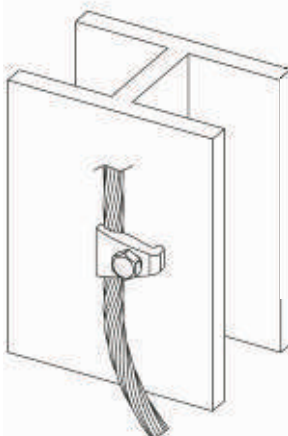


Conductor Range mm <sup>2</sup>	Channel Thickness mm	Bolt size	E - Code
16 - 35	10	M10	TEB0035
50 - 70	10	M10	TEB0070
95 - 120	10	M10	TEB0120
185 - 240	10	M12	TEB0240

### III) TOWER EARTH BOND WITHOUT PLATE

Used for bonding copper cables or wires to steel structures.

MATERIAL : HIGH GRADE COPPER ALLOY  
 BOLT : STAINLESS STEEL - SS304



Conductor Size mm <sup>2</sup>	Channel Thickness mm	Bolt size	E - Code
16 - 35	10	M10	TEB0035WP
50 - 70	10	M10	TEB0070WP
95 - 120	10	M10	TEB0120WP
185 - 240	10	M12	TEB0240WP

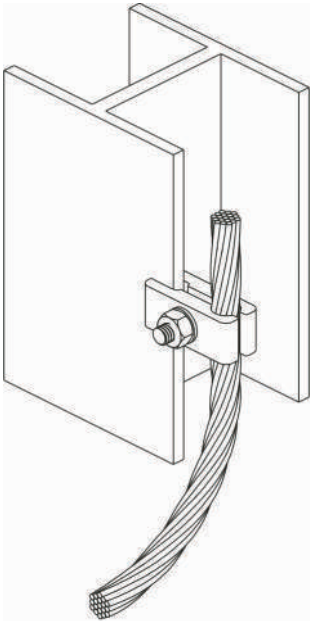


## EARTHING EQUIPMENTS / BONDS & CLAMPS

### III) TOWER EARTH BOND - DIRECT CLAMPING TYPE

Used for bonding copper cables or wires to steel structures without making holes on the structures.

MATERIAL : HIGH GRADE COPPER ALLOY  
 BOLT : STAINLESS STEEL - SS304

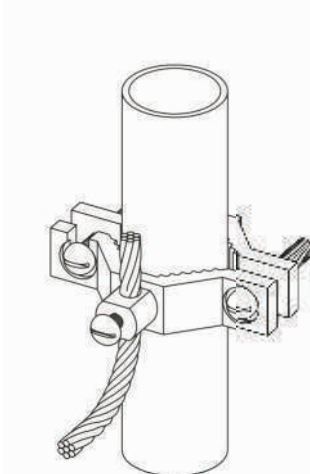


Conductor Size mm <sup>2</sup>	Channel Thickness mm	Bolt size	E - Code
16 - 35	10	M10	TEB0035DC
50 - 70	10	M10	TEB0070DC
95 - 120	10	M10	TEB0120DC
185 - 240	10	M12	TEB0240DC

### PIPE CLAMPS

Provide positive earth continuity for water pipes.

MATERIAL : HIGH GRADE COPPER ALLOY  
 BOLT : STAINLESS STEEL - SS304



Pipe size Inches	Conductor Range mm <sup>2</sup>	E - Code
1/2 - 1"	4 TO 16	PC001
1-1/4 - 2"	4 TO 16	PC002
2-1/2 - 4"	4 TO 16	PC004



## EARTHING EQUIPMENTS / BONDS & CLAMPS



### PIPE CLAMP U BOLT TYPE FOR BIGGER PIPE SIZES

Provide positive earth continuity for water pipes.

MATERIAL : HIGH GRADE COPPER ALLOY  
BOLT : STAINLESS STEEL - SS304

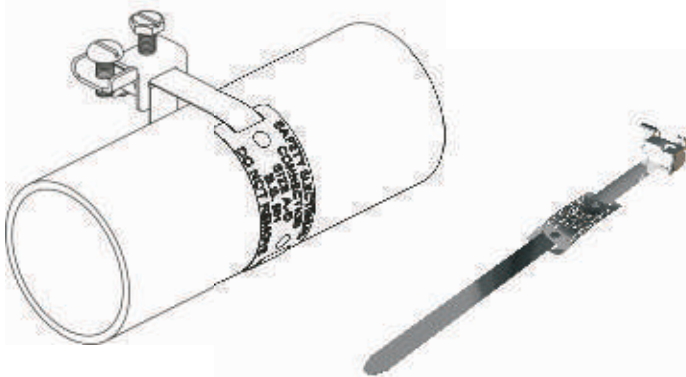


PIPE SIZE	Conductor Range in mm <sup>2</sup>	E-CODE
1/2" - 1"	25 - 95	PCB195
1-1/4" - 2"	25 - 95	PCB295
2-1/2" - 3-1/2"	25 - 95	PCB395
4" - 5"	25 - 95	PCB595
6"	25 - 95	PCB695
8"	25 - 95	PCB895
10"	25 - 95	PCB1095
12"	25 - 95	PCB1295

### EARTHING CLAMP - TYPE EC

Manufactured from SS straps with copper alloy connector.

Typically used to make earth connections on pipes.



Pipe size Inches	Conductor Range mm <sup>2</sup>	E - Code
12 - 32	2.5 - 10	PEC001401
32 - 50	2.5 - 10	PEC001402
50 - 75	2.5 - 10	PEC001403

### PREPUNCHED EARTHING STRAPS

Manufactured from copper strip.

Available in continuous coils & pre Punched for faster earthing connection



Size mm	Hole mm	E - Code
12 x 1.5	6	AEL90021
20 x 2	8	AEL90025
25 x 2	8	AEL90025

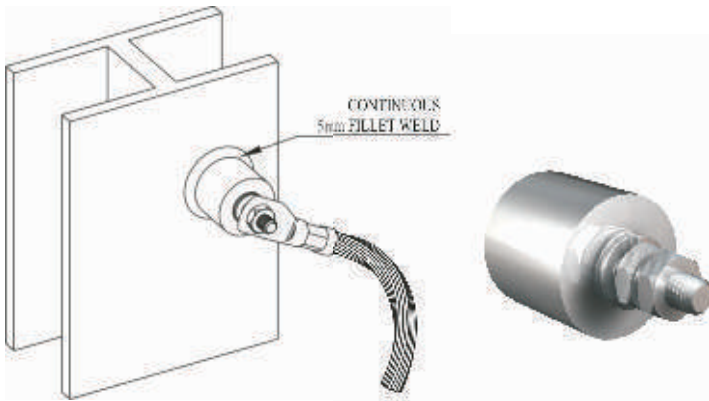


## EARTHING EQUIPMENTS / BONDS & CLAMPS

### EARTH BOSS

The earth boss is used to provide an earth connection point on a steel structure, It is welded onto steel vessels, tanks and other structures

Manufactured from High Tensile mild steel, zinc plated to avoid corrosion & supplied with stud & bolt made of steel with spring & plain washer.



Length mm	Dia mm	Thread Dia.	E - Code
25	20	3/8"	EB2025
25	25	3/8"	EB2525
38	30	3/8"	EB3038
40	40	1/2"	EB4040
50	50	1/2"	EB5050

NOTE :  
OTHER SIZES & COMBINATIONS AVAILABLE  
ALSO AVAILABLE IN STAINLESS STEEL

CABLE LUG IS NOT A PART OF THE EARTH BOSS

### EARTH POINTS

Provides an excellent earth point when connected to continuous reinforcing bars

MATERIAL : HIGH GRADE COPPER ALLOY  
BOLT : STAINLESS STEEL - SS304

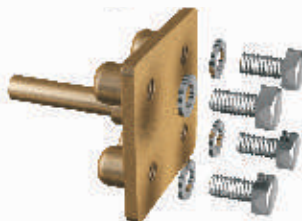
Single Point



Two Point



Four Point



Size	Hole	E - Code
80	1 x M10	EP001
80	2 x M10	EP002
80	4 x M10	EP004

NOTE : STEM DIAMETER = 10.7 mm ( 70mm<sup>2</sup> )

With Prewelded Tail



# LIGHTNING PROTECTION SYSTEM / FLAT TAPE SYSTEM



## TAPPER POINTED AIR ROD

These Rods are made up of high conductivity EC Grade Copper & Aluminum.  
Rods can be installed with or without Multiple Points



Rod Length mm	Rod Dia. mm	Thread Dia.	Material	E - Code
300	14.2	5/8"	Copper	CTP0316
500	14.2	5/8"	Copper	CTP0516
1000	14.2	5/8"	Copper	CTP1016
2000	14.2	5/8"	Copper	CTP2016
500	17.2	3/4"	Copper	CTP0520
1000	17.2	3/4"	Copper	CTP1020
2000	17.2	3/4"	Copper	CTP2020
300	14.2	5/8"	Aluminium	ATP0316
500	14.2	5/8"	Aluminium	ATP0516
1000	14.2	5/8"	Aluminium	ATP1016
1500	14.2	5/8"	Aluminium	ATP1516
2000	14.2	5/8"	Aluminium	ATP2016
500	17.2	3/4"	Aluminium	ATP0520
1000	17.2	3/4"	Aluminium	ATP1020
2000	17.2	3/4"	Aluminium	ATP2020

## ELEVATION ROD

Manufactured from High conductivity Copper to BS 2874 & Aluminium to BS 2987



Rod Length mm	Rod Dia. mm	Thread Dia.	Material	E - Code
500	14.2	5/8"	Copper	CER0516
1000	14.2	5/8"	Copper	CER1016
1300	14.2	5/8"	Copper	CER1316
800	17.2	3/4"	Copper	CER0820
1300	17.2	3/4"	Copper	CER1320
500	14.2	5/8"	Aluminium	AER0516
1000	14.2	5/8"	Aluminium	AER1016
1300	142	5/8"	Aluminium	AER1316
800	17.2	3/4"	Aluminium	AER0820
1300	17.2	3/4"	Aluminium	AER1320

## MULTIPLE POINTS

Multiple points are made from Copper Alloy & the Taper Spike from EC grade copper



Type - A

Thread Dia.	E - Code
5/8"	CMP0016
3/4"	CMP0020



Type - B

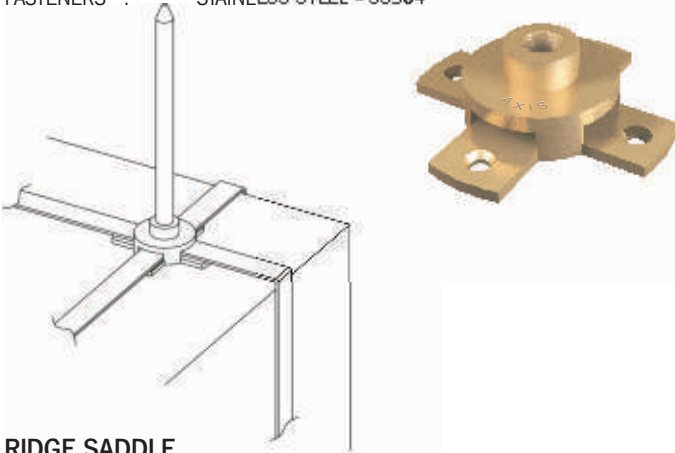


## LIGHTNING PROTECTION SYSTEM

### AIR TERMINAL BASE

For supporting air rods onto flat roofsurfaces and to accommodate conductor tape for lightning protection system.

MATERIAL : HIGH GRADE COPPER ALLOY  
 FASTENERS : STAINLESS STEEL - SS304

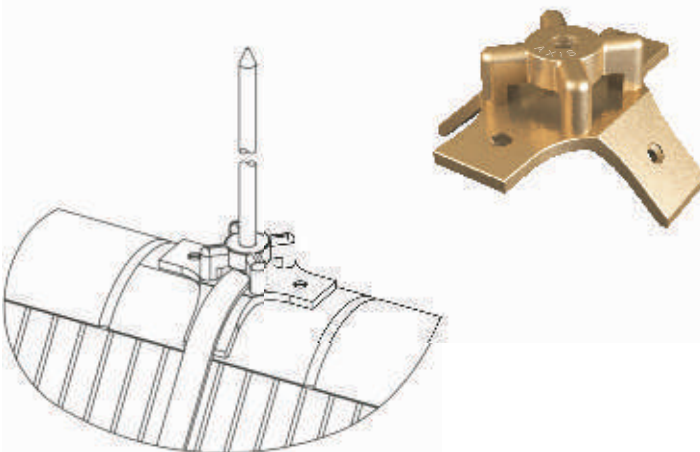


Thread Dia.	Max. Tape Size mm	Material	E - Code
5/8"	25 x 6	Copper	ATB0016C
3/4"	25 x 6	Copper	ATB0020C
5/8"	25 x 6	Aluminium	ATB0016A
3/4"	25 x 6	Aluminium	ATB0020A

### RIDGE SADDLE

This is used for supporting lightning conductor air terminals on the roof ridges.

MATERIAL : HIGH GRADE COPPER ALLOY



Thread Dia.	Max. Tape Size mm	Material	E - Code
5/8"	30 x 6	Copper	RGS0016C
3/4"	30 x 6	Copper	RGS0020C
5/8"	30 x 6	Aluminium	RGS0016A
3/4"	30 x 6	Aluminium	RGS0020A

### STRIKE PAD

Strike pads are used where it is not possible or preferred to attach conductors on the roof or side of the building. Applications like ware houses or Multi-story parking garages, where the conductors are laid into the tarmac, or the side of the building, but not possible to run the conductor outside.



DIAMETER	HEIGHT	MATERIAL	E-CODE
120	20	ALUMINIUM	SPA120
		COPPER	SPC120



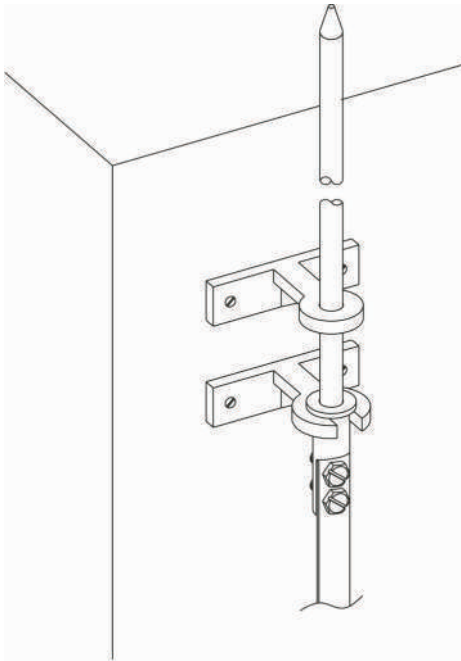
# LIGHTNING PROTECTION SYSTEM



## ROD BRACKETS

Used to support & continue elevation rod

MATERIAL : HIGH GRADE COPPER ALLOY



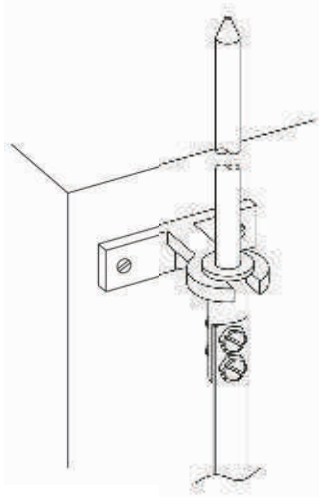
Rod Dia. mm	Material	E - Code
14.2	Copper	RB0016C
17.2	Copper	RB0020C
14.2	Aluminium	RB0016A

NOTE : TO BE USED IN A SET

## ROD TO TAPE COUPLING

Used to connect elevation rod to earthing tape.

MATERIAL : HIGH GRADE COPPER ALLOY  
FASTENERS : STAINLESS STEEL - SS304



Rod Dia. mm	Thread Dia.	Max. Tape Size mm	Material	E - Code
14.2	5/8"	25 x 6	Copper	RTC0016C
17.2	3/4"	25 x 6	Copper	RTC0020C
14.2	5/8"	25 x 6	Aluminium	RTC0016A
17.2	3/4"	25 x 6	Aluminium	RTC0020A

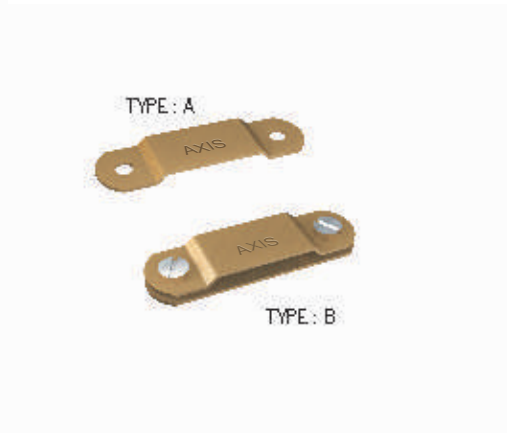
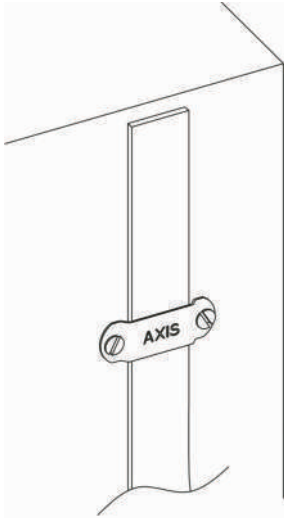


## LIGHTNING PROTECTION SYSTEM / TAPE FIXINGS

### TAPE CLIP WITH & WITHOUT BASE

They are used to Support & Secure Flat tape to the structure.

MATERIAL : HIGH GRADE COPPER ALLOY



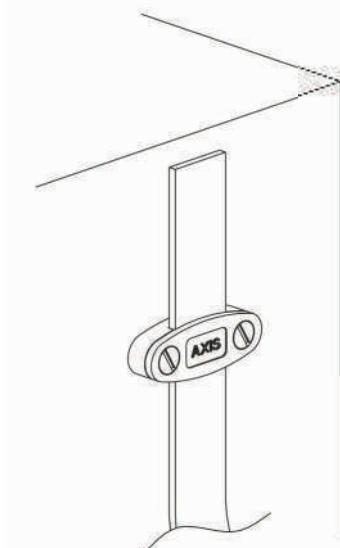
Tape Size mm	Material	E - Code
20 x 3	Copper	TCC0020
25 x 3	Copper	TCC0025
30 x 3	Copper	TCC0030
50 x 3	Copper	TCC0050
25 x 3	Aluminium	TCA0025
30 x 3	Aluminium	TCA0030
50 x 3	Aluminium	TCA0050

NOTE : OTHER SIZES AVAILABLE ON REQUEST

### D.C TAPE CLIP

Used for Supporting & Secure Flat tape to the structure.

MATERIAL : HIGH GRADE COPPER ALLOY  
BOLT : STAINLESS STEEL - SS304



Tape Size mm	E - Code
20 x 3	DCG203
25 x 3	DCG253
25 x 6	DCG256
30 x 3	DCG303
30 x 6	DCG306
50 x 3	DCG503
50 x 6	DCG506

NOTE : OTHER SIZES AVAILABLE ON REQUEST

ALSO AVAILABLE IN ALUMINIUM



# LIGHTNING PROTECTION SYSTEM / TAPE FIXINGS



## GLUE DOWN PLASTIC DC TAPE CLIP

It can be used to secure conductors to surfaces that cannot be penetrated by screw.

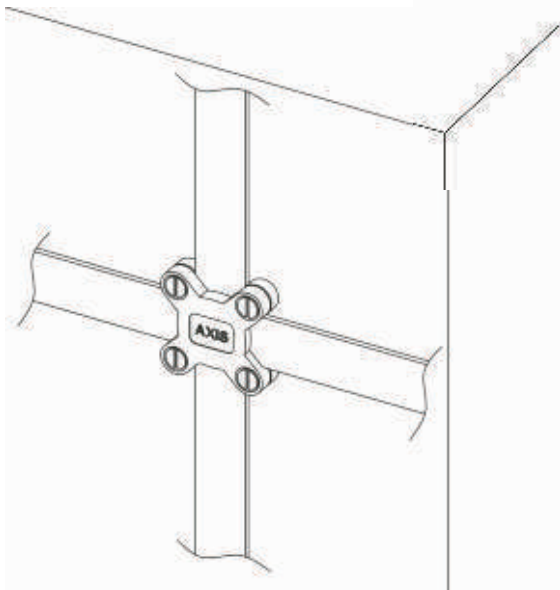
MATERIAL : PVC BASE WITH POLYPROPYLENE CLIP



Tape Size mm	E - Code
25 x 3	GDDC253
30 x 3	GDDC254

## SQUARE TAPE CLAMP

Suitable for 4 way connections, straight through or tee joints for tapes.



TYPE : A



TYPE : B

MATERIAL : HIGH GRADE COPPER ALLOY  
BOLT : STAINLESS STEEL - SS304

Tape Size mm	Material	E - Code
20 x 3	Copper	STC0203
25 x 3	Copper	STC0253
25 x 6	Copper	STC0256
30 x 3	Copper	STC0303
30 x 6	Copper	STC0306
50 x 3	Copper	STC0503
50 x 6	Copper	STC0506
25 x 3	Aluminium	STC0253A
30 x 3	Aluminium	STC0303A
50 x 6	Aluminium	STC0506A

NOTE : OTHER SIZES AVAILABLE ON REQUEST

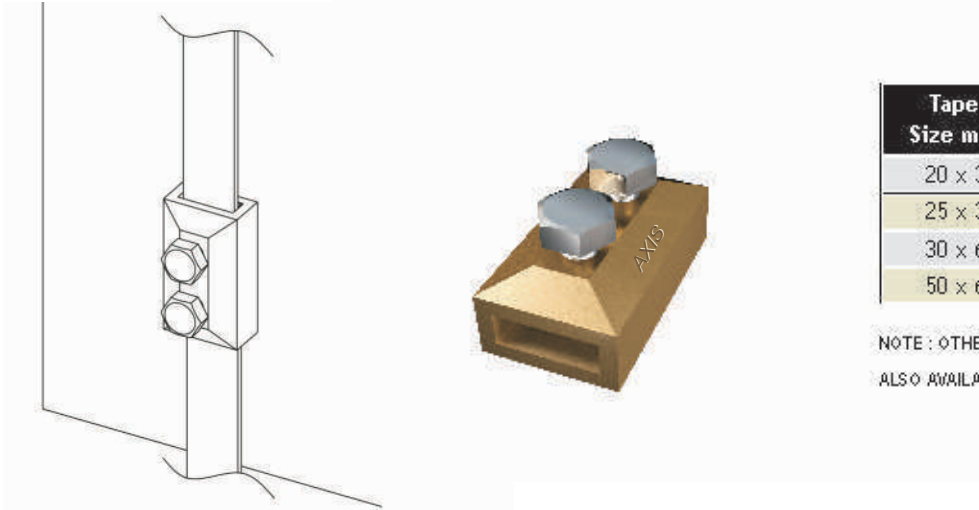


## LIGHTNING PROTECTION SYSTEM / TAPE FIXINGS

### OBLONG TEST CLAMP

Suitable for straight through tape joint

MATERIAL : HIGH GRADE COPPER ALLOY  
 BOLT : STAINLESS STEEL - SS304



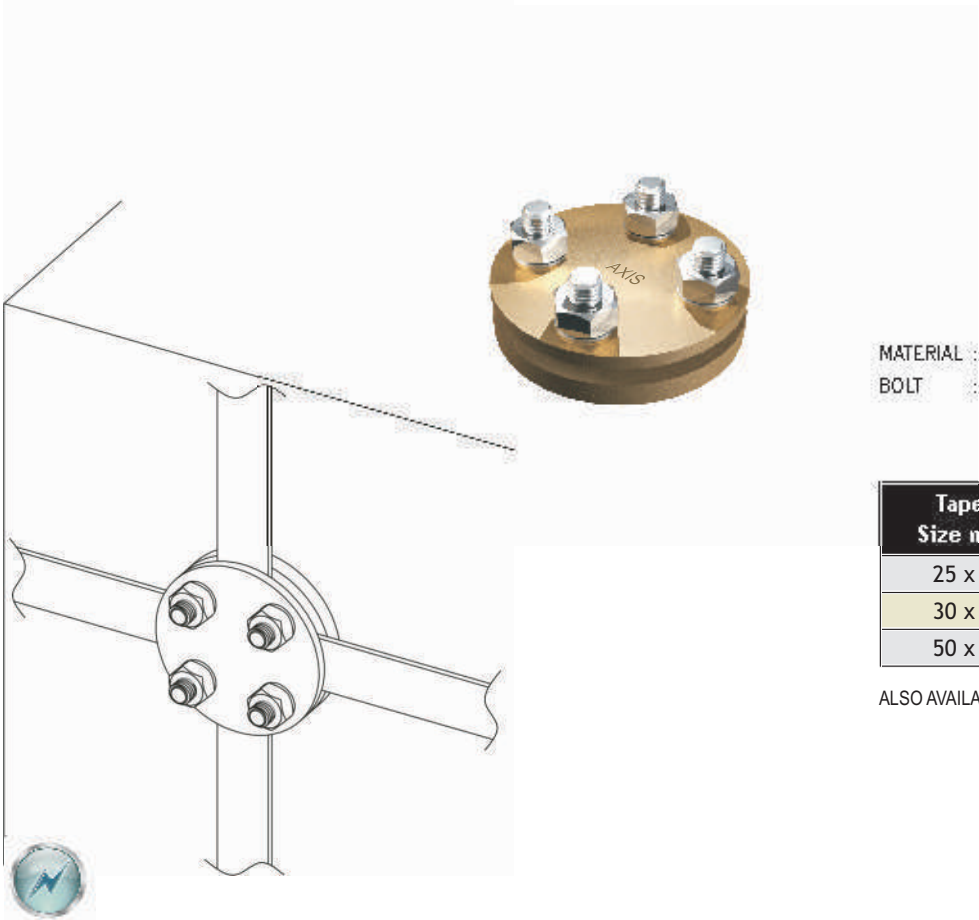
Tape Size mm	E - Code
20 x 3	OTC0203
25 x 3	OTC0253
30 x 6	OTC0306
50 x 6	OTC0506

NOTE : OTHER SIZES AVAILABLE ON REQUEST  
 ALSO AVAILABLE IN ALUMINIUM

### PLATE TEST CLAMP

A Disconnecting joint between the down conductor system & earthing system can be formed using this clamp the clamp can be used as a 4-way clamp.

MATERIAL : HIGH GRADE COPPER ALLOY  
 BOLT : STAINLESS STEEL - SS304



Tape Size mm	E - Code
25 x 3	PTC253
30 x 6	PTC254
50 x 6	PTC255

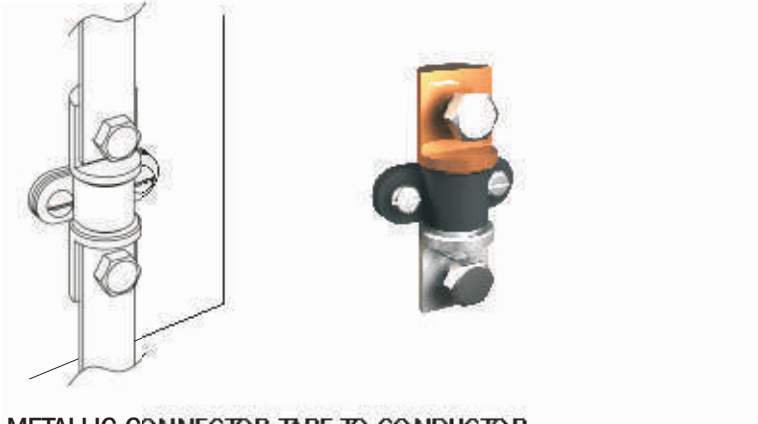
ALSO AVAILABLE IN ALUMINIUM

# LIGHTNING PROTECTION SYSTEM / TAPE FIXINGS

## BI-METALLIC CONNECTOR TAPE TO TAPE

This connectors are used in bi-metallic earthing systems.

It is recommended to use inhibiting compound with this assembly.



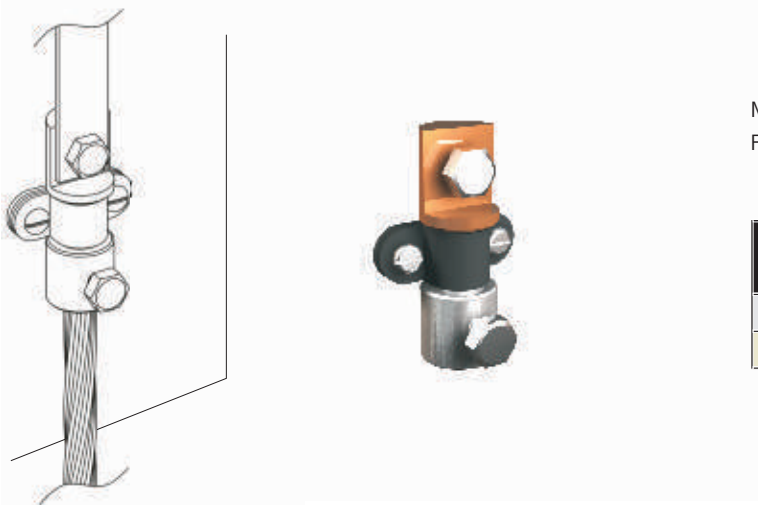
MATERIAL : HIGH GRADE COPPER ALLOY  
FASTENERS : STAINLESS STEEL - SS304

Cu Tape Size mm	Alu Tape Size mm	E - Code
25 x 3	25 x 3	BMC0253

## BI-METALLIC CONNECTOR TAPE TO CONDUCTOR

This connectors are used in bi-metallic earthing systems.

It is recommended to use inhibiting compound with this assembly.



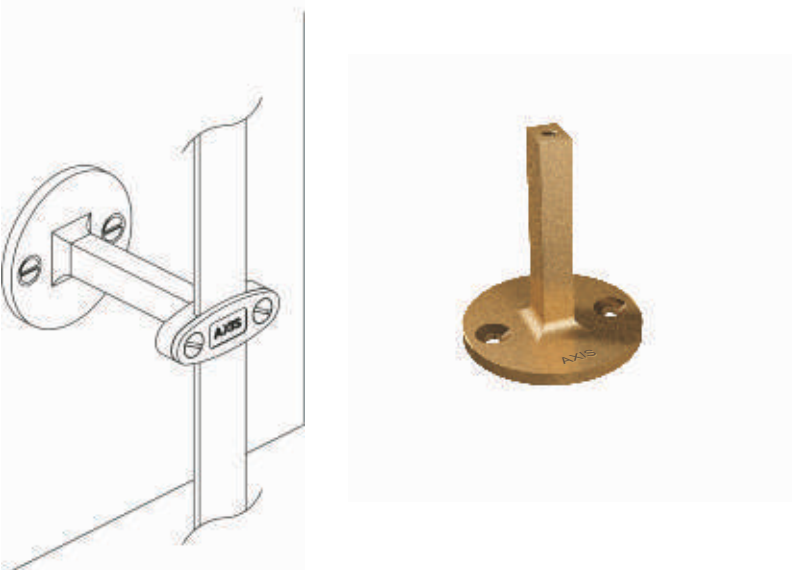
MATERIAL : HIGH GRADE COPPER ALLOY  
FASTENERS : STAINLESS STEEL - SS304

Cu Tape Size mm	Alu Conductor Size in mm <sup>2</sup>	E - Code
25 x 3	35 - 50	BMCTC25350
25 x 3	70 - 95	BMCTC25395

## BACK PLATE HOLDFAST STEM

Required for installation of tape when the tape is to be secured away from the face of wall.

This should be used with appropriate D.C Clip.



MATERIAL : HIGH GRADE COPPER ALLOY

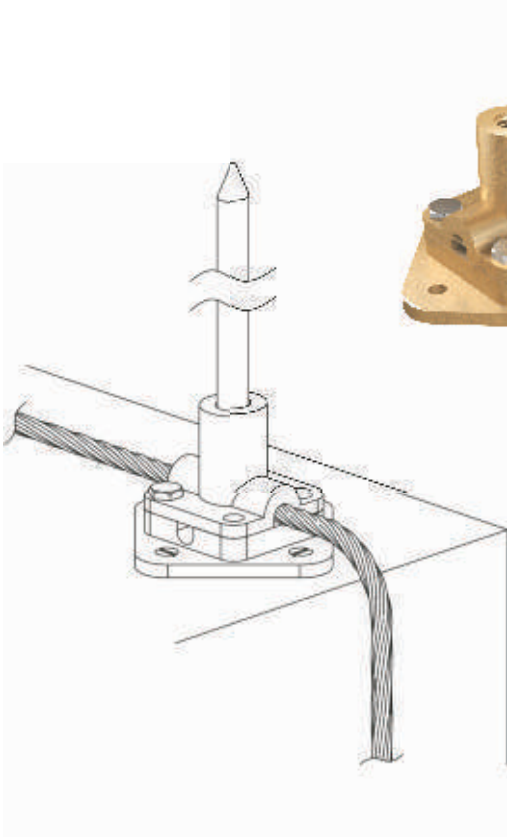
Tape matl.	E - Code
Copper	BPHS01



## LIGHTNING PROTECTION SYSTEM / CIRCULAR CONDUCTOR SYSTEM

### AIR TERMINAL BASE

Suitable to install Air terminal and make positive continuity to earthing conductor.

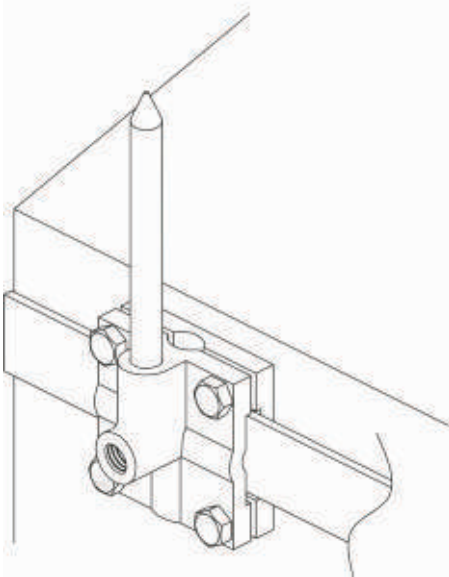


MATERIAL : HIGH GRADE COPPER ALLOY  
 BOLT : STAINLESS STEEL - SS304

Conductor size, mm <sup>2</sup>	Thread Dia.	E - Code
50	5/8"	ATB1650C
70	5/8"	ATB1670C
95	5/8"	ATB1695C
50	3/4"	ATB2050C
70	3/4"	ATB2070C
95	3/4"	ATB2095C

### MULTIPLE FUNCTION AIR TERMINAL BASE

Used for Supporting & Secure Flat Tape to the Structure.



MATERIAL : HIGH GRADE COPPER ALLOY  
 BOLT : STAINLESS STEEL - SS304

ROD THREAD DIA. IN mm	CONDUCTOR SIZE IN mm <sup>2</sup>	COPPER FLAT SIZE IN mm	E-CODE
5/8"	35 - 50	25 x 3	ATBM5850
5/8"	70 - 95	25 x 3	ATBM5895
3/4"	35 - 50	25 x 3	ATBM3450
3/4"	70 - 95	25 x 3	ATBM3495

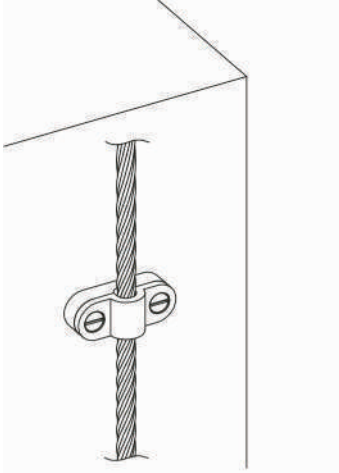


# LIGHTNING PROTECTION SYSTEM / CIRCULAR CONDUCTOR SYSTEM



## HEAVY DUTY CONDUCTOR SADDLE

Used in conjunction with wall mounted air terminal base.

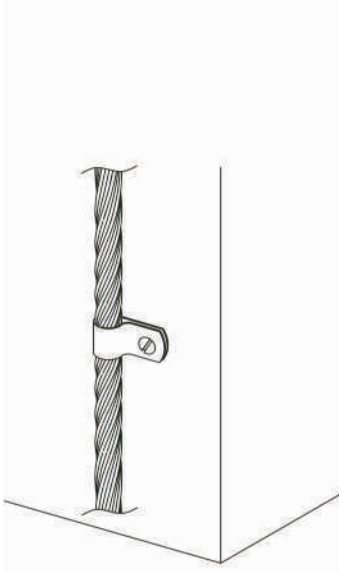


MATERIAL : HIGH GRADE COPPER ALLOY  
FASTENERS : STAINLESS STEEL - SS304

Conductor size, mm <sup>2</sup>	E - Code
25 - 35	HDS0035
8mm ROD	HDS0050
50 - 70	HDS0070
95	HDS0095
120 - 150	HDS0150
185	HDS0185

## ONE HOLE CLIP

Used in fixing cable conductors.

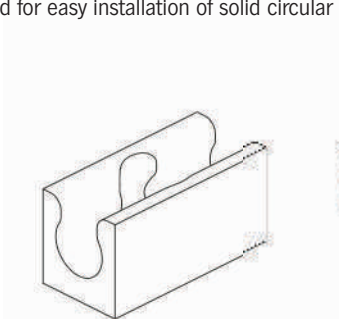


MATERIAL : HIGH GRADE COPPER ALLOY  
FASTENERS : STAINLESS STEEL - SS304

Conductor size, mm <sup>2</sup>	E - Code
25 - 35	OHC0035
8mm ROD	OHC0050
50 - 70	OHC0070
95	OHC0095
120	OHC0120
150	OHC0150
185	OHC0185

## PUSH IN ROOF CONDUCTOR

Used for easy installation of solid circular conductors.



MATERIAL : POLYPROPYLENE

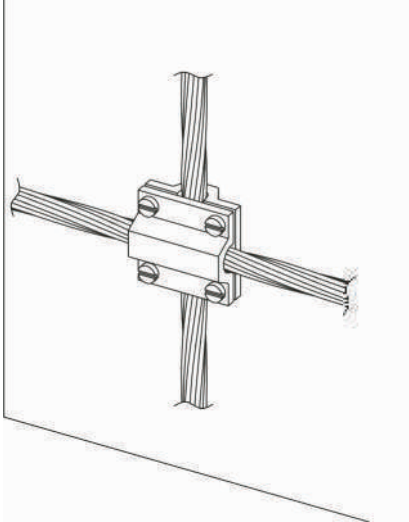
CONDUCTOR SIZE IN mm	L mm	W mm	H mm	COLOUR	E-CODE
8	29	18	14	BLACK	PRC008BL
				BROWN	PRC008BR
				WHITE	PRC008WH



# LIGHTNING PROTECTION SYSTEM / CIRCULAR CONDUCTOR SYSTEM

## SQUARE CLAMP

Suitable for 4 way connections, straight through or tee joints for rods.

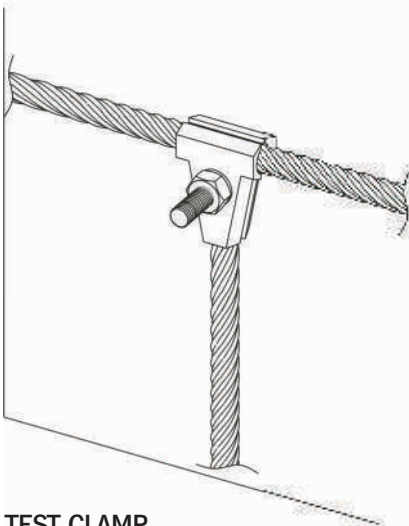


MATERIAL : HIGH GRADE COPPER ALLOY  
 BOLT : STAINLESS STEEL - SS304

Conductor size, mm2	E - Code
35	GSQ0035
50	GSQ0050
70 - 95	GSQ0095
120	GSQ0120

## TEE CLAMP

Used for forming tee joints

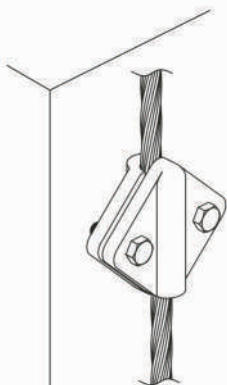


MATERIAL : HIGH GRADE COPPER ALLOY  
 BOLT : STAINLESS STEEL - SS304

Conductor size, mm2	E - Code
35 - 50	GTC0035
70 - 95	GTC0095
120	GTC0120

## TEST CLAMP

Used in overlapping joints.



MATERIAL : HIGH GRADE COPPER ALLOY  
 BOLT : STAINLESS STEEL - SS304

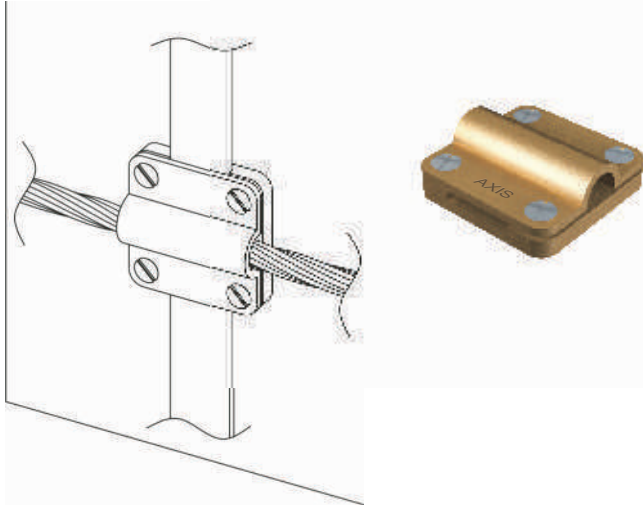
Conductor size, mm2	E - Code
35	TEC0035
50	TEC0050
70 - 95	TEC0095



## SQUARE CLAMP WITH COMBINATION

Suitable to connect conductor to tape

MATERIAL : HIGH GRADE COPPER ALLOY  
 FASTENERS : STAINLESS STEEL - SS304

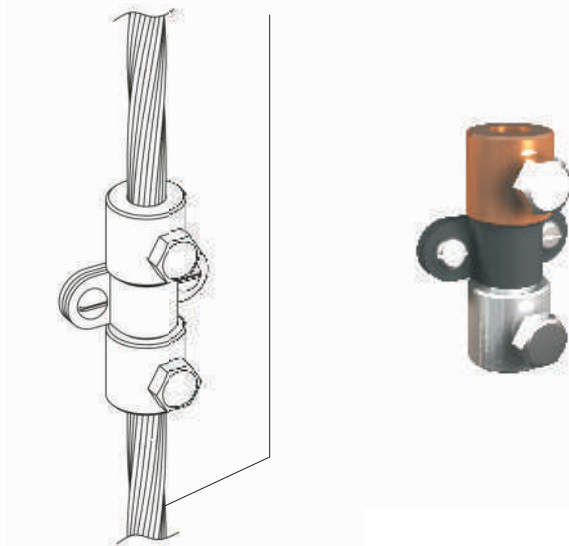


CONDUCTOR SIZE IN mm <sup>2</sup>	COPPER FLAT SIZE IN mm	E-CODE
35 - 50	20 x 3	SCC50203
35 - 50	25 x 3	SCC50253
70 - 95	25 x 3	SCC95253
70 - 95	30 x 3	SCC95303

NOTE : OTHER SIZES & COMBINATIONS AVAILABLE

## BI-METALLIC CONNECTOR CONDUCTOR TO CONDUCTOR

This connectors are used in bi-metallic earthing systems. It is recommended to use inhibiting compound with this assembly.

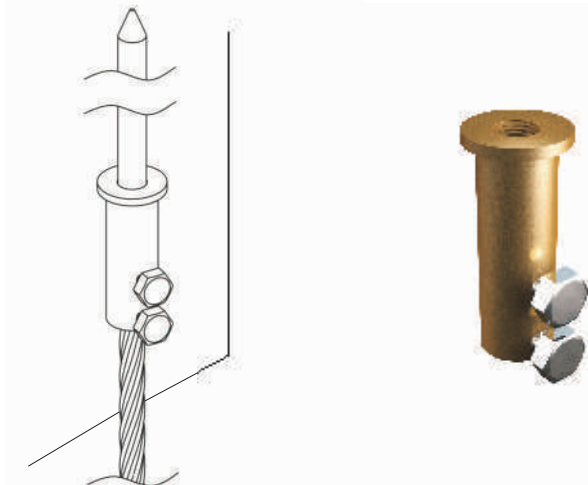


MATERIAL : EC GRADE ALUMINIUM & COPPER  
 BOLT : STAINLESS STEEL - SS304

Cu Conductor Size in mm <sup>2</sup>	Alu Conductor Size in mm <sup>2</sup>	E - Code
35 - 50	35 - 50	BMCC3550
70 - 95	70 - 95	BMCC7095

## ROD TO CABLE COUPLING

Suitable to connect air rod to down conductor. To be used along with Brackets



MATERIAL : HIGH GRADE COPPER ALLOY  
 BOLT : STAINLESS STEEL - SS304

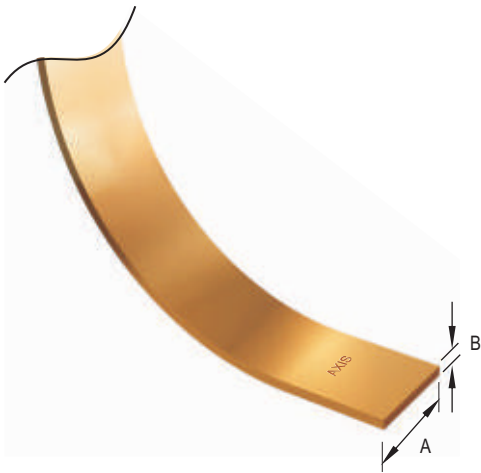
Thread Dia.	Conductor size, mm <sup>2</sup>	E - Code
5/8"	35 - 50	RC5850
5/8"	50 - 95	RC5095
3/4"	35 - 50	RC3450
3/4"	70 - 95	RC3495



## EARTHING CONDUCTORS

### BARE COPPER TAPE

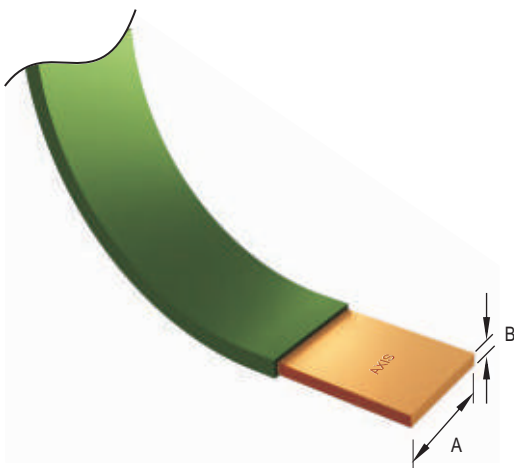
Copper Tapes are manufactured from high conductivity EC grade Copper.



TAPE size (A x B) mm	E - Code
12.5 x 1.5	ECT0121
12.5 x 3	ECT0123
20 x 1.5	ECT0201
20 x 3	ECT0203
25 x 1.5	ECT0251
25 x 3	ECT0253
25 x 4	ECT0254
25 x 6	ECT0256
30 x 3	ECT0303
30 x 6	ECT0306
38 x 3	ECT0383
38 x 5	ECT0385
38 x 6	ECT0386
40 x 4	ECT0404
40 x 6	ECT0406
50 x 3	ECT0503
50 x 4	ECT0504
50 x 6	ECT0506

### PVC COVERED COPPER TAPE

High conductivity copper tapes, PVC covered.



TAPE size (A x B) mm	E - Code
12.5 x 1.5	PCT0121
12.5 x 3	PCT0123
20 x 1.5	PCT0201
20 x 3	PCT0203
25 x 1.5	PCT0251
25 x 3	PCT0253
25 x 4	PCT0254
25 x 6	PCT0256
30 x 3	PCT0303
30 x 6	PCT0306
38 x 3	PCT0383
38 x 5	PCT0385
38 x 6	PCT0386
40 x 4	PCT0404
40 x 6	PCT0406
50 x 3	PCT0503
50 x 4	PCT0504
50 x 6	PCT0506



# EARTHING CONDUCTORS



## TINNED COPPER TAPE

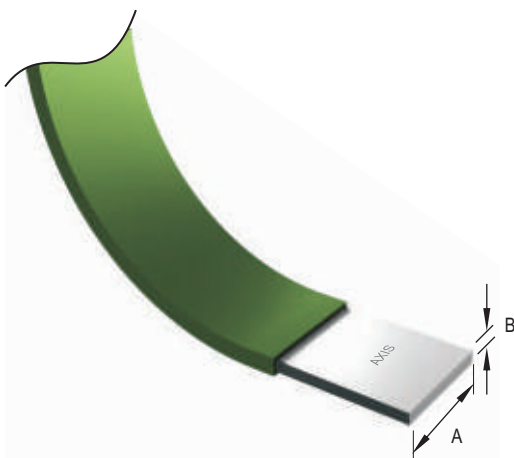
Tinned Copper Tapes are manufactured from high conductivity EC grade Copper.



TAPE size (A x B) mm	E - Code
12.5 x 1.5	TCT0121
12.5 x 3	TCT0123
20 x 1.5	TCT0201
20 x 3	TCT0203
25 x 1.5	TCT0251
25 x 3	TCT0253
25 x 4	TCT0254
25 x 6	TCT0256
30 x 3	TCT0303
30 x 6	TCT0306
38 x 3	TCT0383
38 x 5	TCT0385
38 x 6	TCT0386
40 x 4	TCT0404
40 x 6	TCT0406
50 x 3	TCT0503
50 x 4	TCT0504
50 x 6	TCT0506

## PVC COVERED TINNED COPPER TAPE

High conductivity tinned copper tapes, PVC covered.



TAPE size (A x B) mm	E - Code
12.5 x 1.5	PTCT0121
12.5 x 3	PTCT0123
20 x 1.5	PTCT0201
20 x 3	PTCT0203
25 x 1.5	PTCT0251
25 x 3	PTCT0253
25 x 4	PTCT0254
25 x 6	PTCT0256
30 x 3	PTCT0303
30 x 6	PTCT0306
38 x 3	PTCT0383
38 x 5	PTCT0385
38 x 6	PTCT0386
40 x 4	PTCT0404
40 x 6	PTCT0406
50 x 3	PTCT0503
50 x 4	PTCT0504
50 x 6	PTCT0506



## EARTHING CONDUCTORS

### HARD DRAWN COPPER BAR

Manufactured from high conductivity copper.



TAPE SIZE (A x B) mm	E - Code
25 x 3	HCB253
25 x 6	HCB256
38 x 6	HCB386
50 x 6	HCB506
50 x 10	HCB5010
75 x 6	HCB756

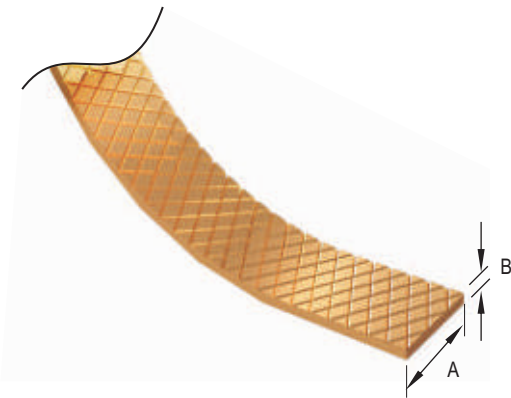
NOTE : OTHER SIZES AVAILABLE ON REQUEST

### FLEXIBLE COPPER BRAID

Manufactured from high conductivity copper wire to BS4109-C101.

Suitable for earth bonding. Also supplied as standard pre-cut & Drilled Bonds.

This is used for bonding of gates, Metal doors, Fences and application where flexibility is required.



Overall size (A x B) mm	Size (mm <sup>2</sup> )	Current Rating Amp	E - Code
12 x 1.5	8.4	40	FB0121
12 x 3	16.8	105	FB0123
19 x 1.5	12.1	63	FB0191
19 x 3.0	22.4	140	FB0193
25 x 1.5	19.6	85	FB0251
25 x 3	36.5	200	FB0253
25 x 6	73	400	FB0256
32 x 1.5	36.5	120	FB0321
32 x 3	42.1	240	FB0323
32 x 6	81.4	400	FB0326
38 x 3	53.3	800	FB0383
38 x 6	80	500	FB0386
50 x 3	70.2	400	FB0503
50 x 6	109.5	800	FB0506
50 x 12	280	1500	FB5012
75 x 6	140.4	1000	FB0756



# EARTHING CONDUCTORS

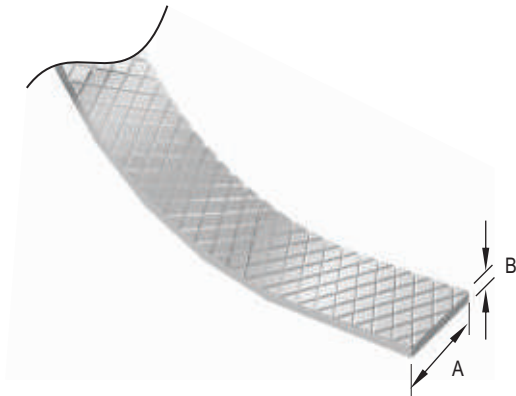


## FLEXIBLE TINNED COPPER BRAID

Manufactured from high conductivity copper wire to BS4109-C101.

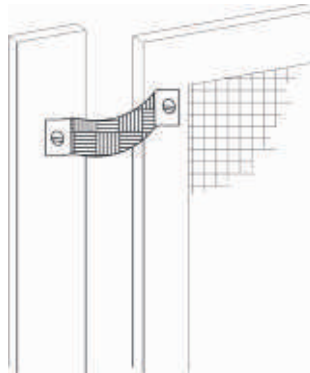
Suitable for earth bonding. Also supplied as standard pre-cut & Drilled Bonds.

This is used for bonding of gates, Metal doors, Fences & application where flexibility is required.



Overall size (A x B) mm	Size (mm <sup>2</sup> )	Current Rating Amp	E - Code
12 x 1.5	8.4	40	FTB0121
12 x 3	16.8	105	FTB0123
19 x 1.5	12.1	63	FTB0191
19 x 3.0	22.4	140	FTB0193
25 x 1.5	19.6	85	FTB0251
25 x 3	36.5	200	FTB0253
25 x 6	73	400	FTB0256
32 x 1.5	36.5	120	FTB0321
32 x 3	42.1	240	FTB0323
32 x 6	81.4	400	FTB0326
38 x 3	53.3	800	FTB0383
38 x 6	80	500	FTB0386
50 x 3	70.2	400	FTB0503
50 x 6	109.5	800	FTB0506
50 x 12	280	1500	FTB5012
75 x 6	140.4	1000	FTB0756

## FLEXIBLE CONNECTORS



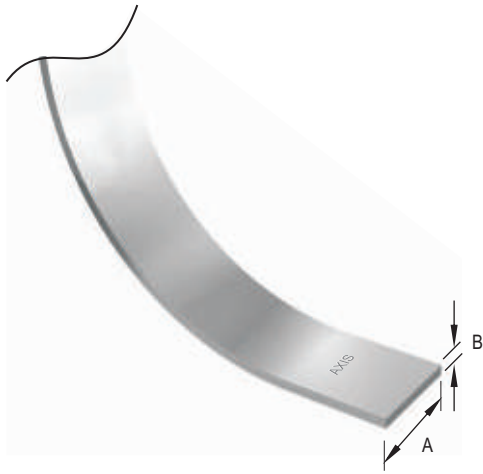
Overall size (A x B) mm	Center to Center Dist. Of fixing Hole, mm	Braid Dim. mm	Hole Size mm	E - Code
Single Bond	200	25 x 3.5	12	FDB0200
	300	25 x 3.5	12	FDB0300
	400	25 x 3.5	12	FDB0400

NOTE : OTHER SIZES AND TYPES OF BRAID MADE ON ORDER.



## EARTHING CONDUCTORS

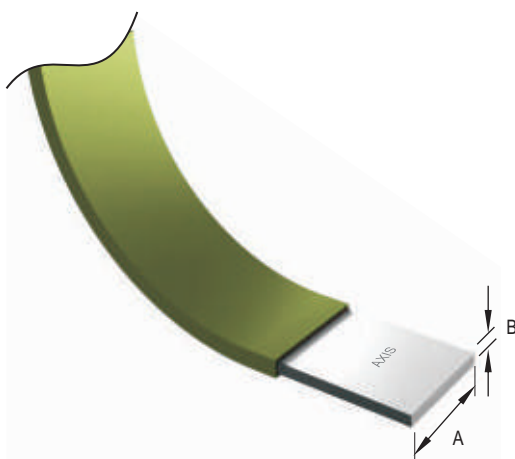
### BARE ALUMINIUM TAPE



TAPE size (A x B) mm	E - Code
12.5 x 1.5	BAT0121
12.5 x 3	BAT0123
20 x 1.5	BAT0201
20 x 3	BAT0203
25 x 1.5	BAT0251
25 x 3	BAT0253
25 x 4	BAT0254
25 x 6	BAT0256
30 x 3	BAT0303
30 x 6	BAT0306
38 x 3	BAT0383
38 x 5	BAT0385
38 x 6	BAT0386
40 x 4	BAT0404
40 x 6	BAT0406
50 x 3	BAT0503
50 x 4	BAT0504
50 x 6	BAT0506

### PVC COVERED ALUMINIUM TAPE

High Conductivity Aluminium Tapes PVC Covered.



TAPE size (A x B) mm	E - Code
12.5 x 1.5	PAT0121
12.5 x 3	PAT0123
20 x 1.5	PAT0201
20 x 3	PAT0203
25 x 1.5	PAT0251
25 x 3	PAT0253
25 x 4	PAT0254
25 x 6	PAT0256
30 x 3	PAT0303
30 x 6	PAT0306
38 x 3	PAT0383
38 x 5	PAT0385
38 x 6	PAT0386
40 x 4	PAT0404
40 x 6	PAT0406
50 x 3	PAT0503
50 x 4	PAT0504
50 x 6	PAT0506

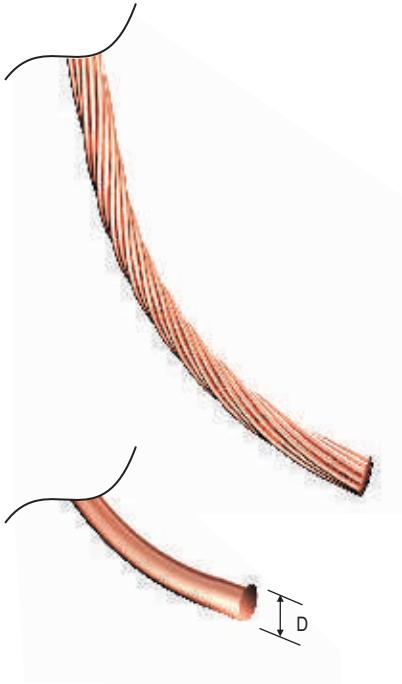


# EARTHING CONDUCTORS



## BARE STRANDED COPPER CONDUCTOR

Made from Soft Drawn Stranded Copper

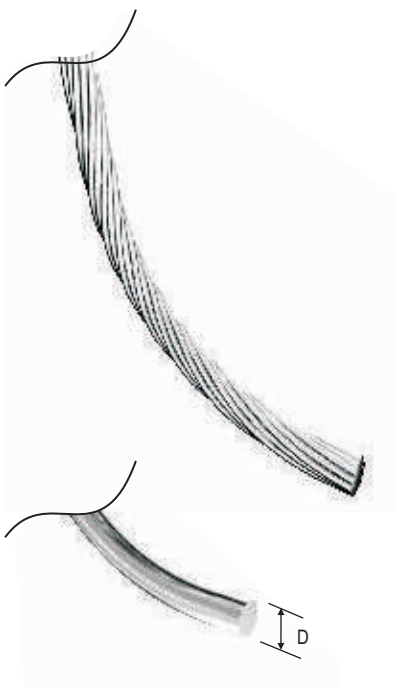


CONDUCTOR SIZE mm <sup>2</sup>	No. of Stranding / Wire Dia. mm	E - Code
6	7/1.04	SSBC0006
10	7/1.4	SSBC0010
16	7/1.7	SSBC0016
25	7/2.14	SSBC0025
35	7/2.52	SSBC0035
50	19/1.78	SSBC0050
70	19/2.14	SSBC0070
95	19/2.52	SSBC0095
120	37/2.03	SSBC0120
150	37/2.25	SSBC0150
185	37/2.52	SSBC0185
240	61/2.25	SSBC0240
300	61/2.50	SSBC0300

Rod Dia in mm 'D'	E - Code
8	BCR08

## BARE STRANDED COPPER CONDUCTOR WITH TINNED PLATED

Made from Soft Drawn Stranded Copper



CONDUCTOR SIZE mm <sup>2</sup>	No. of Stranding / Wire Dia. mm	E - Code
6	7/1.04	SSBCT0006
10	7/1.4	SSBCT0010
16	7/1.7	SSBCT0016
25	7/2.14	SSBCT0025
35	7/2.52	SSBCT0035
50	19/1.78	SSBCT0050
70	19/2.14	SSBCT0070
95	19/2.52	SSBCT0095
120	37/2.03	SSBCT0120
150	37/2.25	SSBCT0150
185	37/2.52	SSBCT0185
240	61/2.25	SSBCT0240
300	61/2.50	SSBCT0300

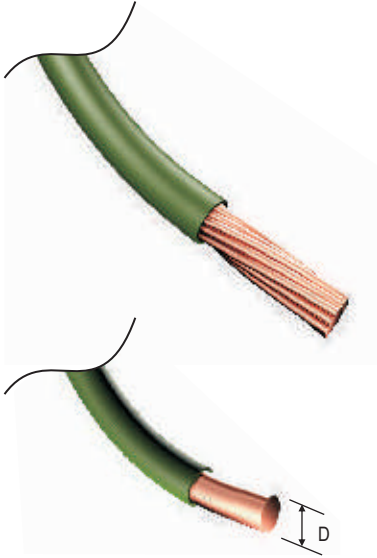
Rod Dia in mm 'D'	E - Code
8	BCRT08



## EARTHING CONDUCTORS

### PVC COVERED STRANDED COPPER CONDUCTOR.

PVC covered Soft Drawn Copper conductor.

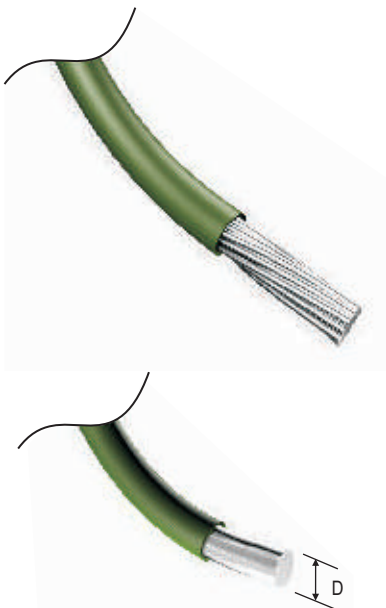


CONDUCTOR SIZE mm <sup>2</sup>	No. of Stranding / Wire Dia. mm	E - Code
16	7/1.7	PSC0016
25	7/2.14	PSC0025
35	7/2.52	PSC0035
50	19/1.78	PSC0050
70	19/2.14	PSC0070
95	19/2.52	PSC0095
120	37/2.03	PSC0120
150	37/2.25	PSC0150
185	37/2.52	PSC0185
240	61/2.25	PSC0240
300	61/2.52	PSC0300
400	61/2.85	PSC0400

Rod Dia in mm 'D'	E - Code
8	PBCR08

### PVC COVERED STRANDED COPPER CONDUCTOR WITH TINNED PLATED.

PVC covered Soft Drawn Copper conductor.



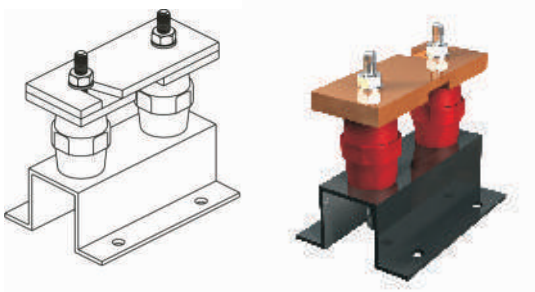
CONDUCTOR SIZE mm <sup>2</sup>	No. of Stranding / Wire Dia. mm	E - Code
16	7/1.7	PSCT0016
25	7/2.14	PSCT0025
35	7/2.52	PSCT0035
50	19/1.78	PSCT0050
70	19/2.14	PSCT0070
95	19/2.52	PSCT0095
120	37/2.03	PSCT0120
150	37/2.25	PSCT0150
185	37/2.52	PSCT0185
240	61/2.25	PSCT0240
300	61/2.52	PSCT0300
400	61/2.85	PSCT0400

Rod Dia in mm 'D'	E - Code
8	PBCRT08



# EARTH BARS AND DISCONNECTING LINK

## DISCONNECTING LINK

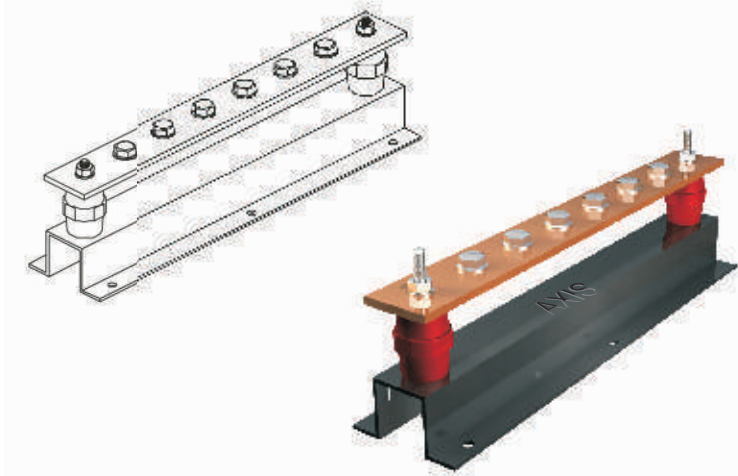


Description	Length (mm)	E - Code
Disconnecting Link	125	DL001

## EARTH BARS

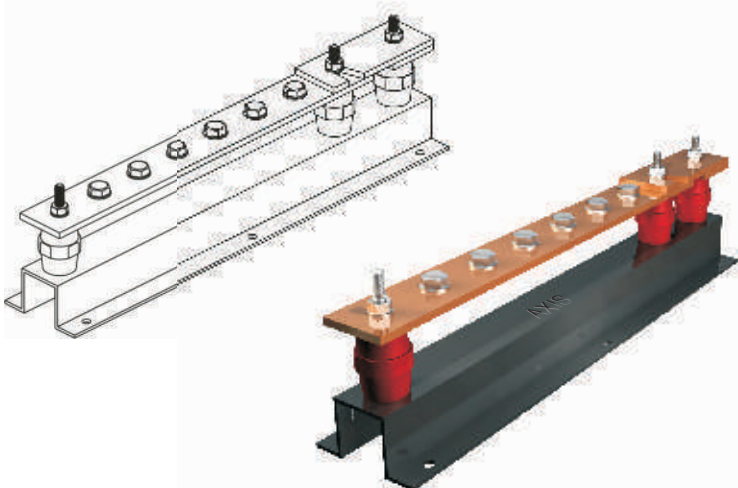
Made out of 50 x 6 mm pure copper bar pre-fitted on epoxy powder coated metal base mounted on insulators

Recommended fixing - round head woodscrew 1-1/2" x no. 16 and wall plug. Range : 6 ways to 24 ways



Description	Length (mm)	E - Code
6 Way	400	EB006
8 Way	500	EB008
10 Way	600	EB010
12 Way	700	EB012
14 Way	800	EB014
16 Way	900	EB016
18 Way	1000	EB018
20 Way	1100	EB020
22 Way	1200	EB022
24 Way	1300	EB024

## EARTH BARS WITH SINGLE DISCONNECTING LINK

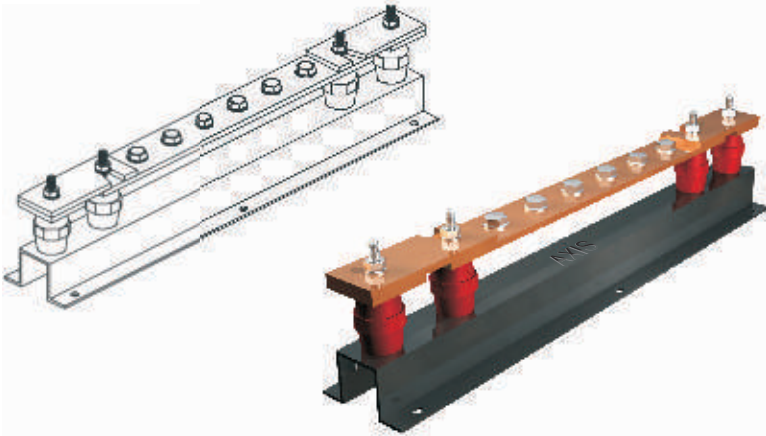


Description	Length (mm)	E - Code
6 Way	475	EBS006
8 Way	575	EBS008
10 Way	675	EBS010
12 Way	775	EBS012
14 Way	875	EBS014
16 Way	975	EBS016
18 Way	1075	EBS018
20 Way	1175	EBS020
22 Way	1275	EBS022
24 Way	1375	EBS024



## EARTH BARS AND DISCONNECTING LINK

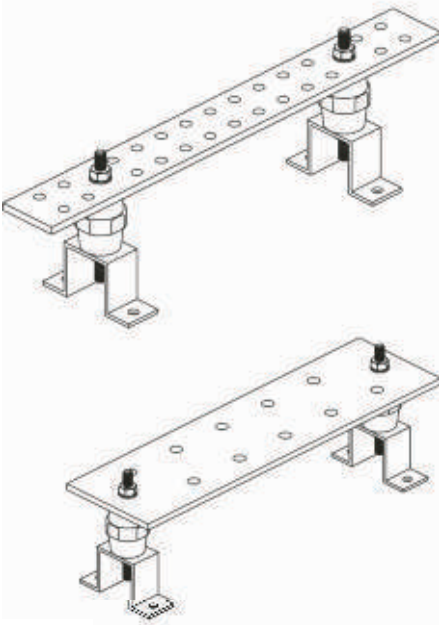
### EARTH BARS WITH TWIN DISCONNECTING LINK



Description	Length (mm)	E - Code
6 Way	550	EBD006
8 Way	650	EBD008
10 Way	750	EBD010
12 Way	850	EBD012
14 Way	950	EBD014
16 Way	1050	EBD016
18 Way	1150	EBD018
20 Way	1250	EBD020
22 Way	1350	EBD022
24 Way	1450	EBD024

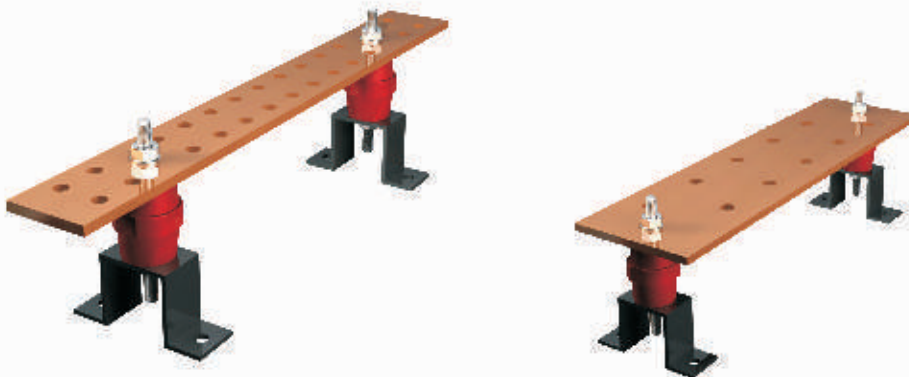
Note: Other Types and Sizes Available on Customers Request.

### EARTH BUS BAR FOR TELECOMMUNICATION



BAR SIZE IN mm	LENGTH IN mm	NO. OF M8 SIZE HOLES	NO. OF M12 SIZE HOLES	E - CODE
50 x 6	750	18	5	EBT506750
50 x 6	650	14	5	EBT506650
50 x 6	500	12	3	EBT506500
50 x 6	450	10	3	EBT506450
50 x 6	400	8	3	EBT506400
50 x 6	350	6	3	EBT506350
100 x 6	750	41	5	EBT1006750
100 x 6	650	33	5	EBT1006650
100 x 6	500	27	3	EBT1006500
100 x 6	450	23	3	EBT1006450
100 x 6	400	19	3	EBT1006400
100 x 6	350	15	3	EBT1006350

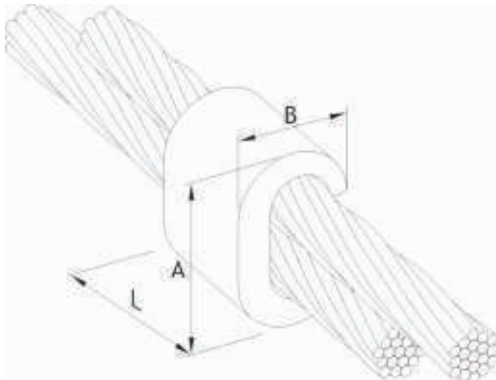
Note: Other Types and Sizes Available on Customers Request.



## 'C' TYPE CONNECTORS - COMPRESSION TYPE

These connectors are used for tap and Parallel connection of stranded copper cable in earthing application and are ideal for making permanent joints where periodic disconnection is not required.

MATERIAL : EC GRADE COPPER  
 FINISH : ELECTRO TINNED / UNTINNED



CABLE SIZE mm <sup>2</sup>	DIMENSIONS IN mm			E - CODE
	A	B	L	
C25 - C25	20.6	12	21	CC2525C
C35 - C35	26.4	15.4	21	CC3535C
C50 - C50	34	21.2	28	CC5050C
C70 - C70	31	19.8	28	CC7070C
C95 - C95	40	25.5	29	CC9595C
C120 - C120	44	27	31	CC120120C
C150 - C150	44.5	29.7	35	CC150150C
C185 - C185	51.8	30	35	CC185185C
C240 - C240	57.7	33.6	35	CC240240C
C16-35 - 50-70C	33.4	21	23	CC7035C
C25-50 - 70-95C	40.8	26	28	CC9550C

## FASTNERS

### HEXAGON HEAD SET SCREW

MATERIAL : STAINLESS STEEL / COPPER ALLOY



Thread Size	Thread Length	E - Code
M6	10	AXS0610
	12	AXS0612
	16	AXS0616
	20	AXS0620
M8	16	AXS0816
	20	AXS0820
	25	AXS0825
	30	AXS0830
M10	16	AXS1016
	20	AXS1020
	25	AXS1025
	30	AXS1030
	35	AXS1035
M12	25	AXS1225
	30	AXS1230
	35	AXS1235
	40	AXS1240
	50	AXS1250

### HEXAGON NUT

MATERIAL : STAINLESS STEEL / COPPER ALLOY



Thread Size	E - Code
M6	AXN006
M8	AXN008
M10	AXN010
M12	AXN012

### FLAT ROUND WASHER

MATERIAL : STAINLESS STEEL / COPPER ALLOY



Thread Size	E - Code
M6	AXW006
M8	AXW008
M10	AXW010
M12	AXW012

### SPRING WASHER

MATERIAL : STAINLESS STEEL / COPPER ALLOY

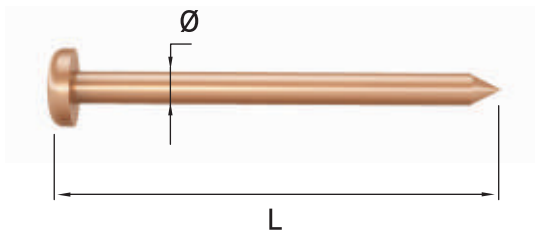


Thread Size	E - Code
M6	AXSW006
M8	AXSW008
M10	AXSW010
M12	AXSW012

## FASTNERS

### NAIL

MATERIAL : COPPER PLATED MILD STEEL



Ø x L In (mm)	E - Code
3 x 50	AXSN0350
4 x 50	AXSN0450
5 x 50	AXSN0550
6 x 50	AXSN0650

### WOOD SCREW

MATERIAL : STAINLESS STEEL / COPPER ALLOY



Thread Size	E - Code
1 1/4" x NO. 10	AXWS114010
1 1/4" x NO. 12	AXWS114012
1 1/2" x NO. 10	AXWS112010
1 1/2" x NO. 12	AXWS112012

### PLASTIC WALL PLUGS

MATERIAL : PVC PLASTIC



SCREW SIZE	E - Code
M10	RWP010
M12	RWP012
M14	RWP014

Other sizes also available as per customer requirement

### BENEFITS OF USING STAINLESS STEEL FASTENERS.



- All SS fasteners are manufactured from non magnetic grade SS 304.
- Highly corrosion resistant.
- No extra surface treatment required for protection against corrosion.
- High tensile strength for better torque ratings to ensure proper functioning of the products.



AN ISO 9001 : 2008 COMPANY

**AXIS ELECTRICAL COMPONENTS (I) PVT. LTD.**

AXIS House, Plot# 104C, Kandivali Co-Op Industrial Est. Ltd., Kandivali (W),  
Mumbai - 400067, INDIA

Tel # +91-22-28696636 / 67756000, Fax # +91-22-28678491

email: [marketing@axis-india.com](mailto:marketing@axis-india.com)

[www.axis-india.com](http://www.axis-india.com)

